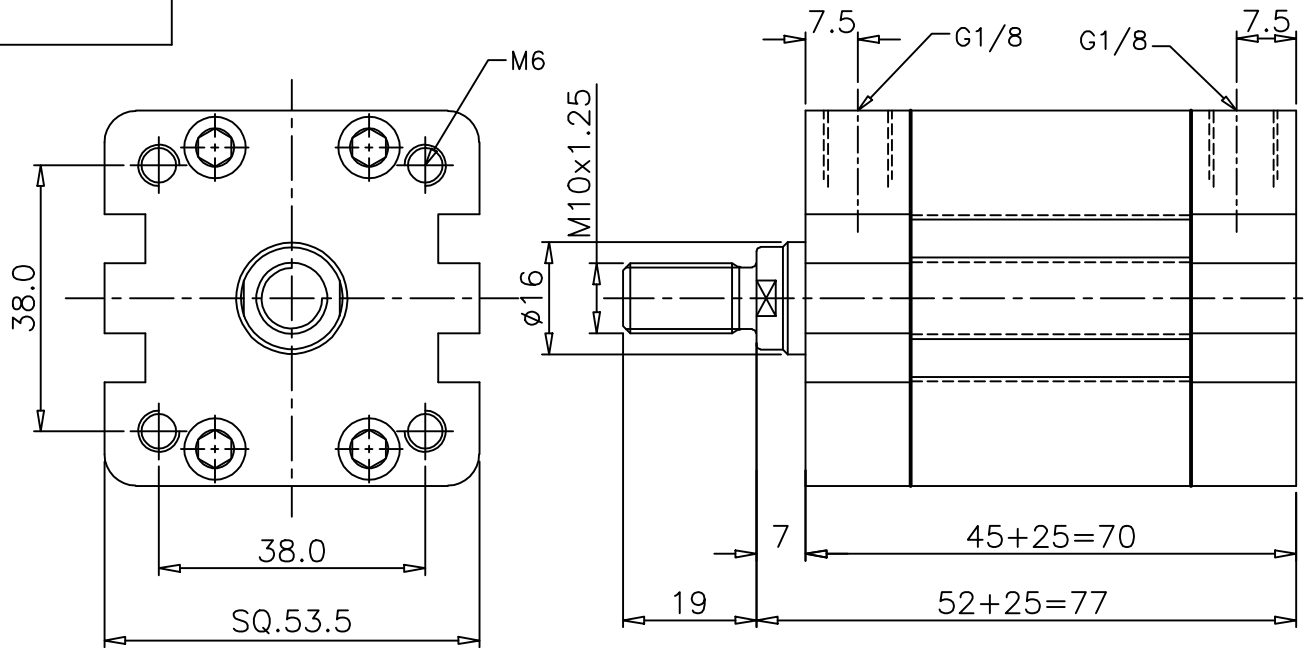


REVISIONS	SCHEDULES:	DRG.No. ZNRA/192040/M
	ALL DIMENSIONS ARE IN mm DO NOT SCALE THE DRAWING	



TECHNICAL DATA

- | | | |
|------------------------|---|---|
| 1. CYLINDER TYPE | : | DOUBLE ACTING ISO/VDMA COMPACT CYLINDER |
| 2. BORE DIA | : | 40 |
| 3. PISTON ROD DIA | : | 16 |
| 4. STROKE | : | 25 |
| 5. OPERATING PRESSURE | : | 1 to 10 bar |
| 6. OPERATING TEMP.MAX. | : | -5°C + 80°C |

MATERIAL OF CONSTRUCTION

- | | | |
|---------------------------|---|-------------------------------|
| 1. END COVERS,PISTON | : | ANODISED ALUMINIUM ALLOY |
| 2. BARREL | : | HARD ANODISED ALUMINIUM ALLOY |
| 3. PISTON ROD | : | STAINLESS STEEL (MARTENSITIC) |
| 4. PISTON ROD SEALS | : | POLYURETHENE |
| 5. PISTON SEALS & O-RINGS | : | NITRILE RUBBER |

NUCON INDUSTRIES PRIVATE LIMITED

ASSEMBLY: 40 mm BORE 25mm STROKE COMPACT CYLINDER	DRAWN	V.VINAY	19.11.2008
	CHECKED		
	APPROVED		
SCALE: NTS	TITLE:	DRG.No. ZNRA/192040/M	
	DATA SHEET	SHEET	OF