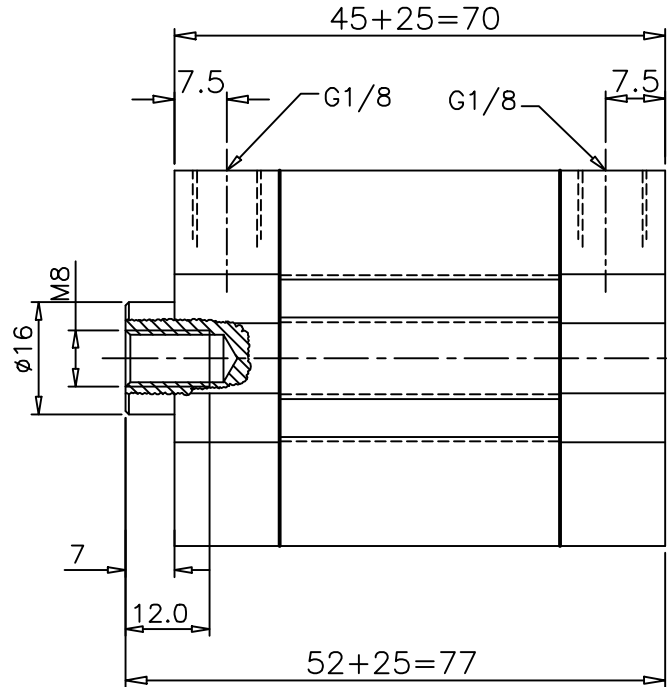
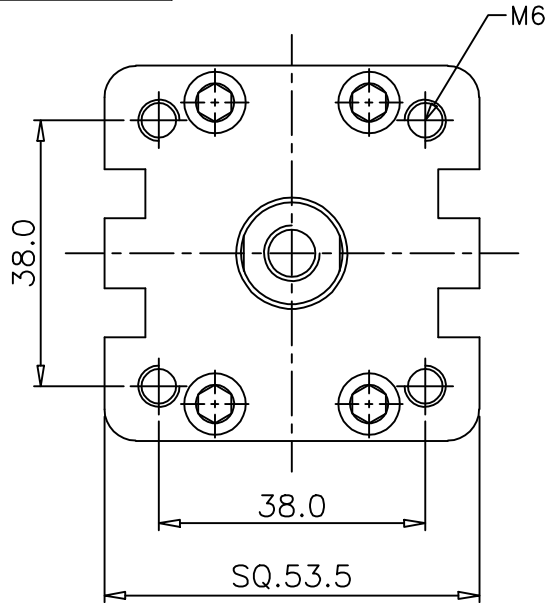


| | | |
|-----------|--|---------------------------|
| REVISIONS | SCHEDULES: | DRG.No. ZNRA/192040/MX |
| | ALL DIMENSIONS ARE IN mm DO NOT SCALE THE DRAWING | |



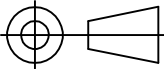
TECHNICAL DATA

- | | |
|-------------------------|---|
| 1. CYLINDER TYPE | : DOUBLE ACTING ISO/VDMA COMPACT CYLINDER |
| 2. BORE DIA | : 40 |
| 3. PISTON ROD DIA | : 16 |
| 4. STROKE | : 25 |
| 5. OPERATING PRESSURE | : 1 to 10 bar |
| 6. OPERATING TEMP. MAX. | : -5°C + 80°C |

MATERIAL OF CONSTRUCTION

- | | |
|---------------------------|---------------------------------|
| 1. END COVERS, PISTON | : ANODISED ALUMINIUM ALLOY |
| 2. BARREL | : HARD ANODISED ALUMINIUM ALLOY |
| 3. PISTON ROD | : STAINLESS STEEL (MARTENSITIC) |
| 4. PISTON ROD SEALS | : POLYURETHENE |
| 5. PISTON SEALS & O-RINGS | : NITRILE RUBBER |

NUCON INDUSTRIES PRIVATE LIMITED

| | | | |
|---|------------|---------------------------|------------|
| ASSEMBLY: 40 mm BORE 25mm STROKE COMPACT CYLINDER | DRAWN | V.VINAY | 19.11.2008 |
| | CHECKED | | |
| | APPROVED | | |
| SCALE: NTS | TITLE: | DRG.No. ZNRA/192040/MX | |
|  | DATA SHEET | SHEET | OF |