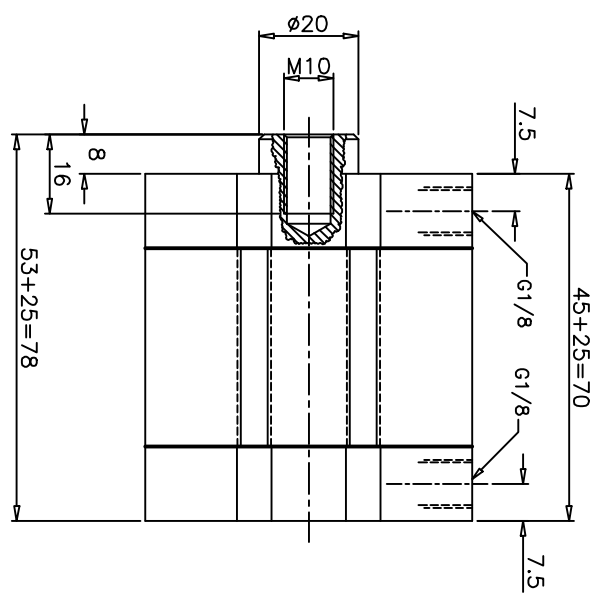
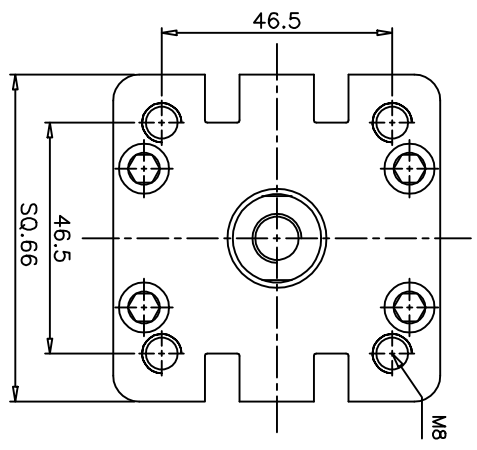


REVISIONS

SCHEDULES:

ALL DIMENSIONS ARE IN mm  
DO NOT SCALE THE DRAWING

DRG.No.  
Z NRA/192050/MX



TECHNICAL DATA

- 1. CYLINDER TYPE : DOUBLE ACTING ISO/VDMA COMPACT CYLINDER
- 2. BORE DIA : 50
- 3. PISTON ROD DIA : 20
- 4. STROKE : 25
- 5. OPERATING PRESSURE : 1 to 10 bar
- 6. OPERATING TEMP.MAX. : -5°C + 80°C

MATERIAL OF CONSTRUCTION

- 1. END COVERS,PISTON : ANODISED ALUMINIUM ALLOY
- 2. BARREL : ANODISED ALUMINIUM ALLOY
- 3. PISTON ROD : STAINLESS STEEL (MARTENSITIC)
- 4. PISTON ROD SEALS : POLYURETHENE
- 5. PISTON SEALS & O-RINGS : NITRILE RUBBER

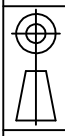
**NUCON INDUSTRIES PRIVATE LIMITED**

ASSEMBLY:

50 mm BORE 25mm STROKE COMPACT CYLINDER

SCALE: NTS TITLE:

DATA SHEET



DRAWN: V.VINAY 19.11.2008

CHECKED: APPROVED:

DRG.No. Z NRA/192050/MX

SHEET OF