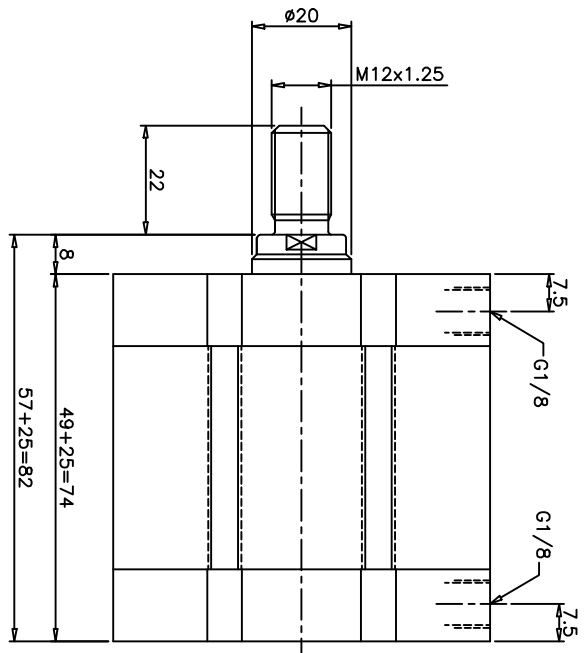
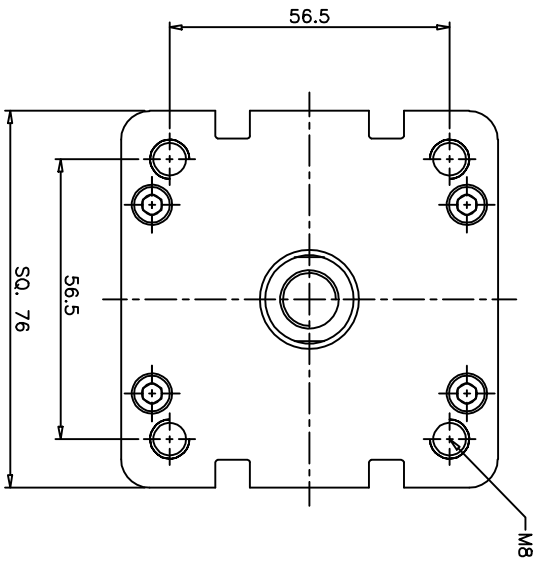


REVISIONS

SCHEDULES:

DRG.No.
ZNRA/192063/M



TECHNICAL DATA

- 1. CYLINDER TYPE : DOUBLE ACTING ISO/VDMA COMPACT CYLINDER
- 2. BORE DIA : 63
- 3. PISTON ROD DIA : 20
- 4. STROKE : 25
- 5. OPERATING PRESSURE : 1 to 10 bar
- 6. OPERATING TEMP.MAX. : -5°C + 80°C

MATERIAL OF CONSTRUCTION

- 1. END COVERS,PISTON : ANODISED ALUMINIUM ALLOY
- 2. BARREL : ANODISED ALUMINIUM ALLOY
- 3. PISTON ROD : STAINLESS STEEL (MARTENSITIC)
- 4. PISTON ROD SEALS : POLYURETHENE
- 5. PISTON SEALS & O-RINGS : NITRILE RUBBER

NUCON INDUSTRIES PRIVATE LIMITED

ASSEMBLY: 63 mm BORE 25mm STROKE COMPACT CYLINDER

SCALE: 1:1 TITLE: DATA SHEET

DRAWN	V.VINAY	19.11.2008
CHECKED		
APPROVED		
DRG.No.	ZNRA/192063/M	
SHEET	OF	