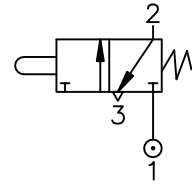


**3/2 POPPET VALVE (MECHANICALLY)  
PLUNGER ACTUATED ,SPRING RETURN**

**ZNCN/5512/14**

Type : 3 way 2 position  
 Port Size : M5  
 Medium : Compressed Air  
 Operating Pressure : 2 to 10 bar  
 Operating Temperature : +5°C +60°C max.  
 Flow : 59 l/min

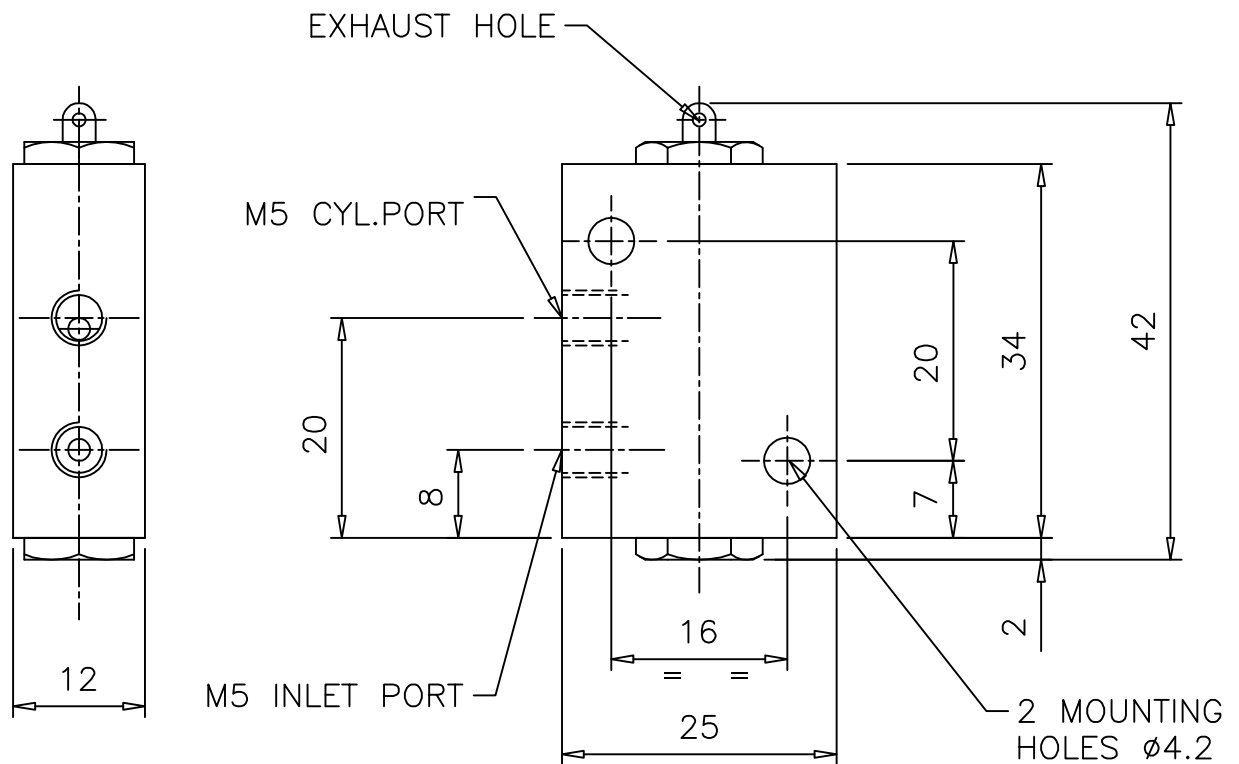


**MATERIAL OF CONSTRUCTION**

BODY : ALUMINIUM ANODISING  
 SEALS : NITRILE  
 PLUNGER : BRASS

**FEATURES:**

- EXTREMELY COMPACT SIZE
- VERY LIGHT OPERATING FORCE
- NEAT , ATTRACTIVE , STYLING
- IDEAL TO USE AS PILOT VALVE & LIMIT SWITCHES



ALL DIMENSIONS ARE IN mm

**NUCON ZANDER (I) PRIVATE LIMITED**

88 , C.I.E , BALANAGAR ,  
 HYDERABAD - 500 037

DRAWN	SREENIVAS.M	17.07.2002
CHECKED		
APPROVED		