

# Roller actuated, Spring return

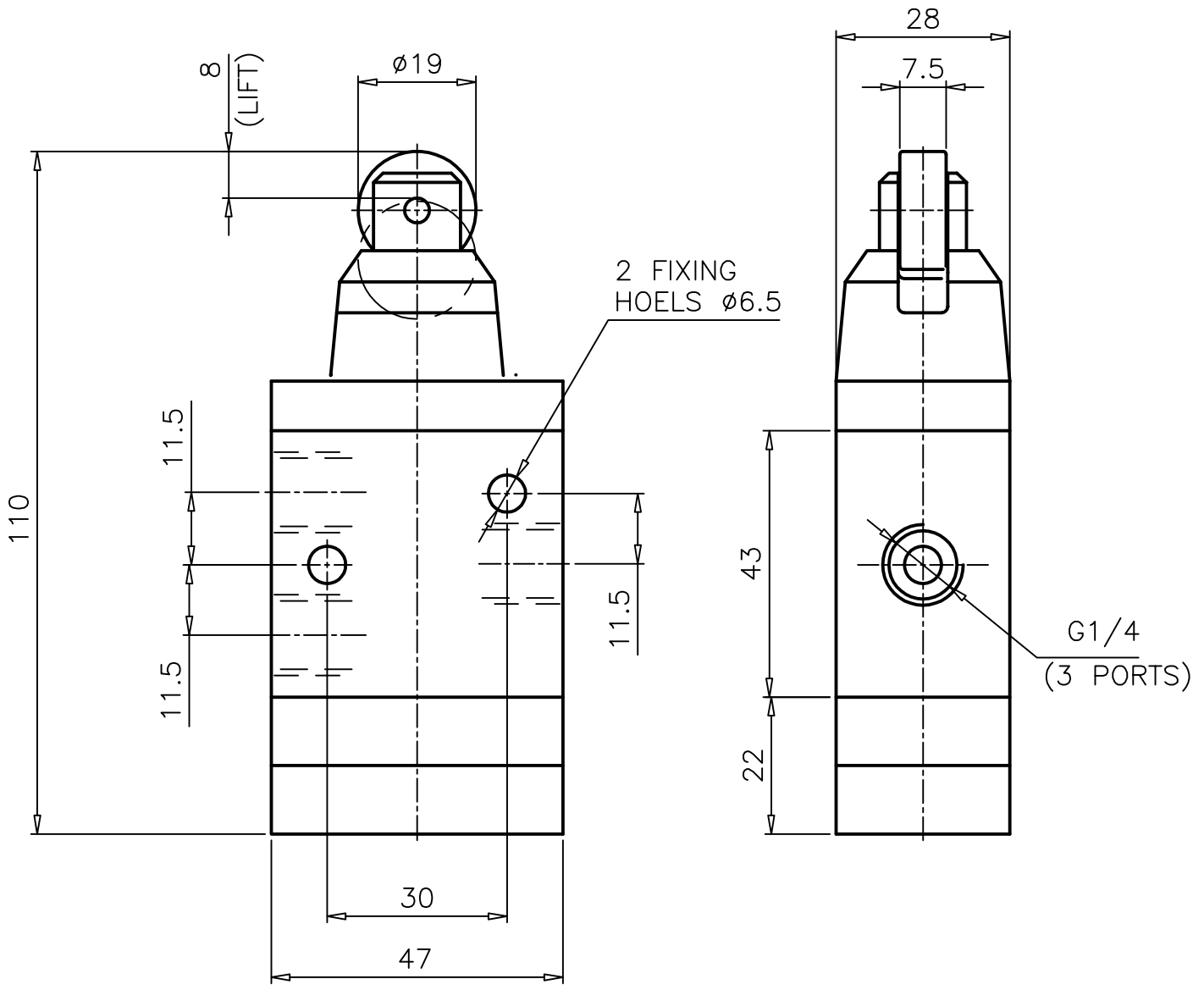
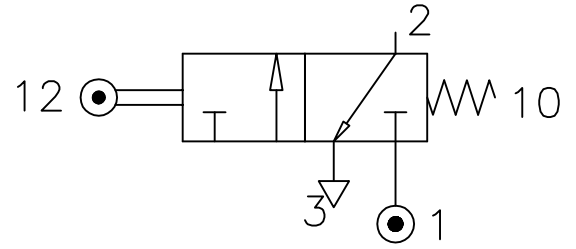
## Z03 0602 02

Type : 3/2 Spool Valve  
 Mechanically actuated

Port Size : G 1/4

Operating Pressure : 0-10 bar

Operating Temperature : +5°C to +70°C



ALL DIMENSIONS ARE IN mm

NUCON INDUSTRIES PRIVATE LIMITED  
 88 , C.I.E , BALANAGAR ,  
 HYDERABAD - 500 037

|          |             |            |
|----------|-------------|------------|
| DRAWN    | SREENIVAS.M | 09.05.2005 |
| CHECKED  |             |            |
| APPROVED |             |            |