

SOLENOID PILOT ACTUATED , SPRING RETURN
End Mounted Miniature Solenoid

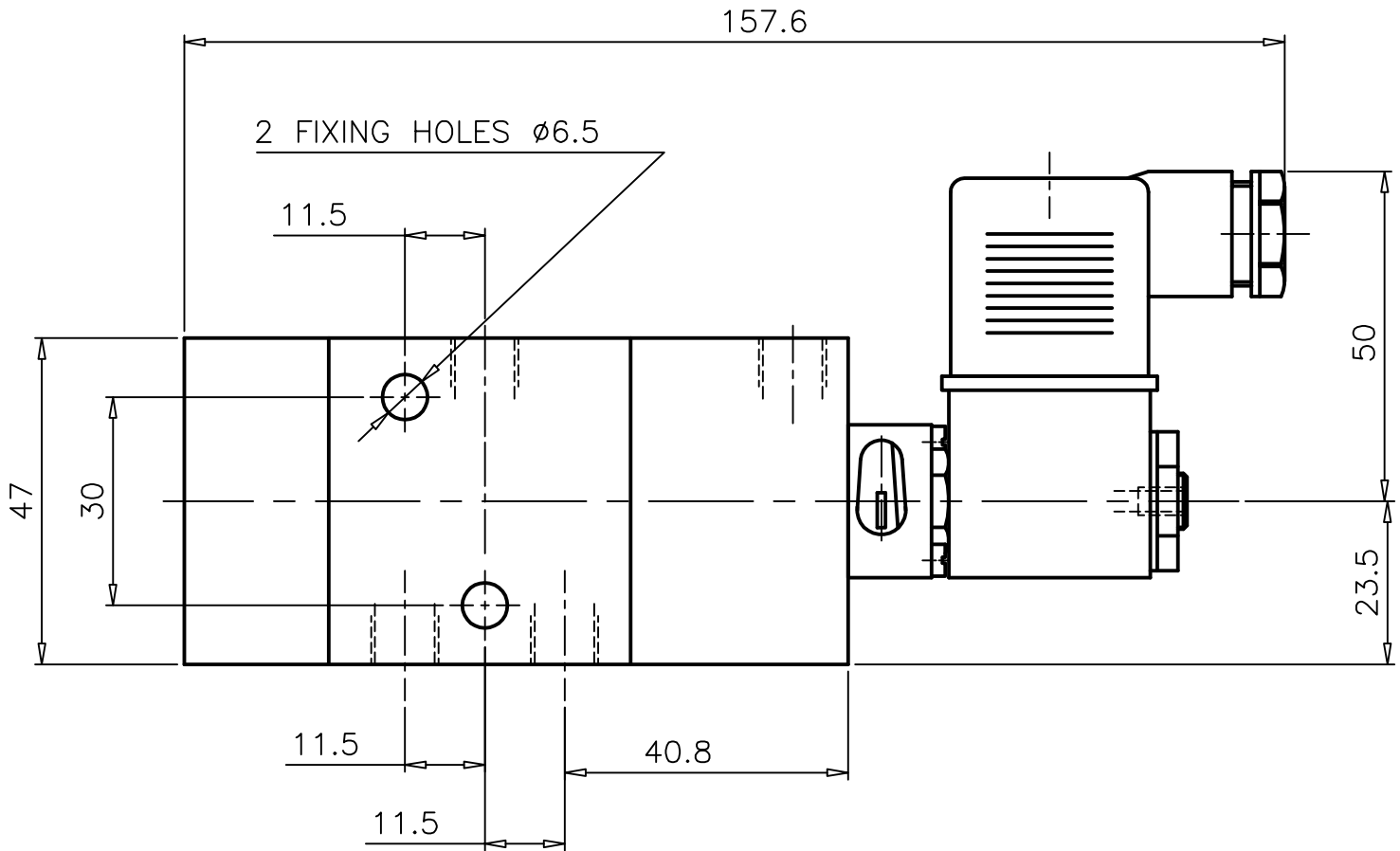
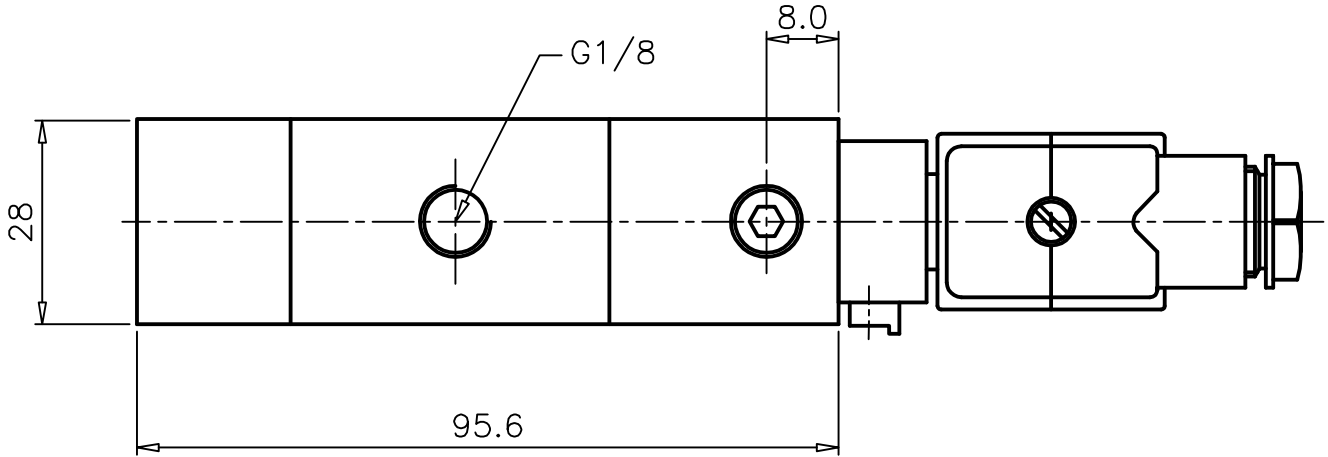
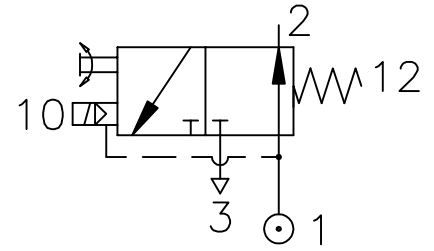
Z14 1538 0M 000

Type : 3/2 Normally open
Integral pilot supply

Port Size : G 1/8

Operating Pressure : 0-10 bar*

Operating Temperature : +5°C to +70°C



* CONSULT OUR TECHNICAL SERVICE FOR LOW PRESSURE AND VACUUM

ALL DIMENSIONS ARE IN mm

NUCON INDUSTRIES PRIVATE LIMITED
88 , C.I.E , BALANAGAR ,
HYDERABAD - 500 037

DRAWN	SREENIVAS.M	11.05.2005
CHECKED		
APPROVED		