

**SOLENOID PILOT ACTUATED , SPRING RETURN**  
End Mounted Miniature Solenoid

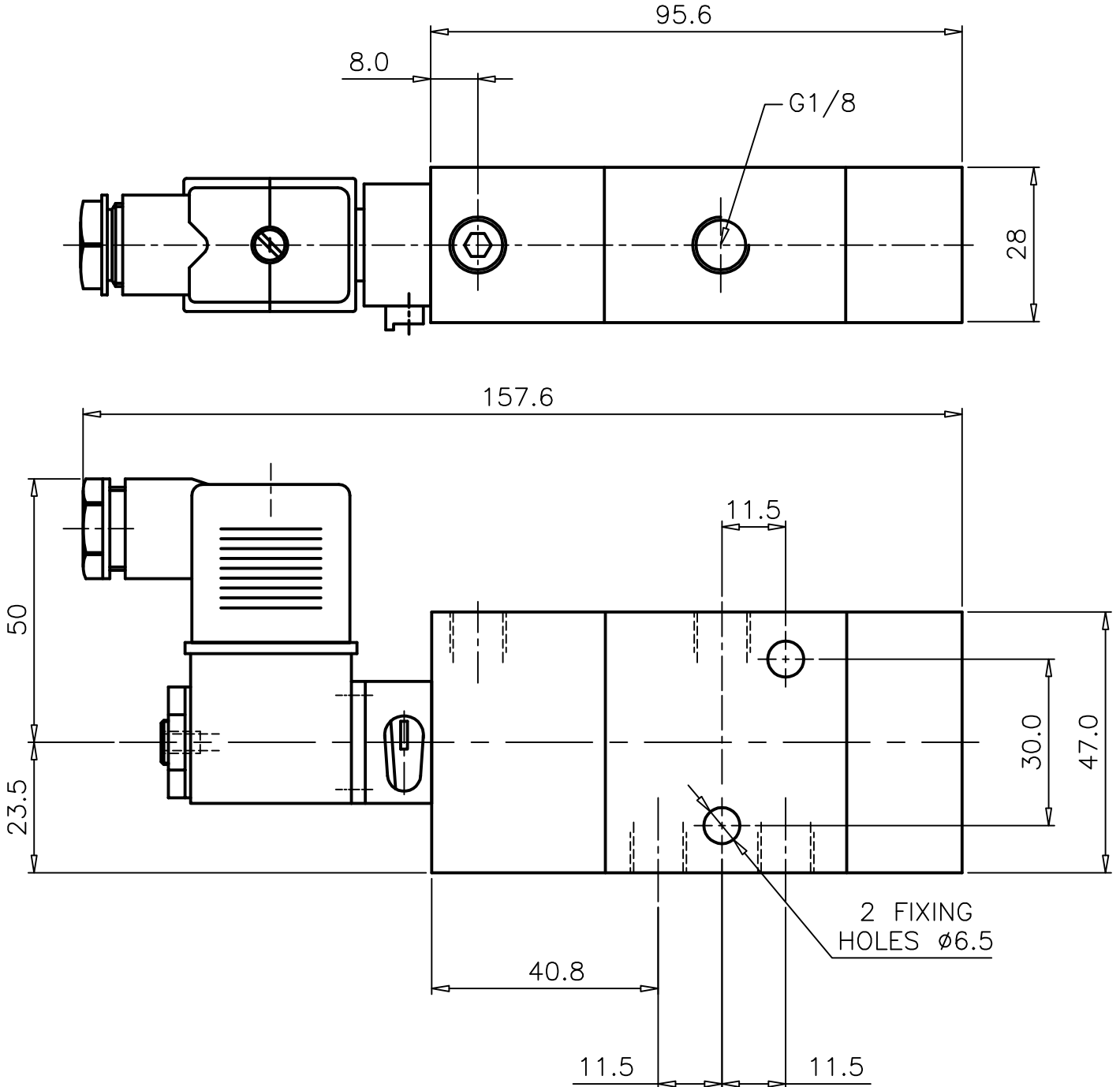
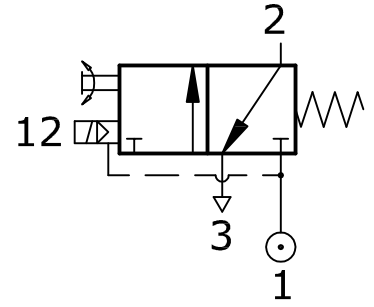
**Z14 1835 0M 000**

Type : 3/2 Normally closed  
Integral pilot supply

Port Size : G 1/8

Operating Pressure : 0-10 bar\*

Operating Temperature : +5°C to +70°C



\* CONSULT OUR TECHNICAL SERVICE FOR LOW PRESSURE AND VACUUM

ALL DIMENSIONS ARE IN mm

NUCON INDUSTRIES PRIVATE LIMITED  
88 , C.I.E , BALANAGAR ,  
HYDERABAD - 500 037

DRAWN	SREENIVAS.M	11.05.2005
CHECKED		
APPROVED		