

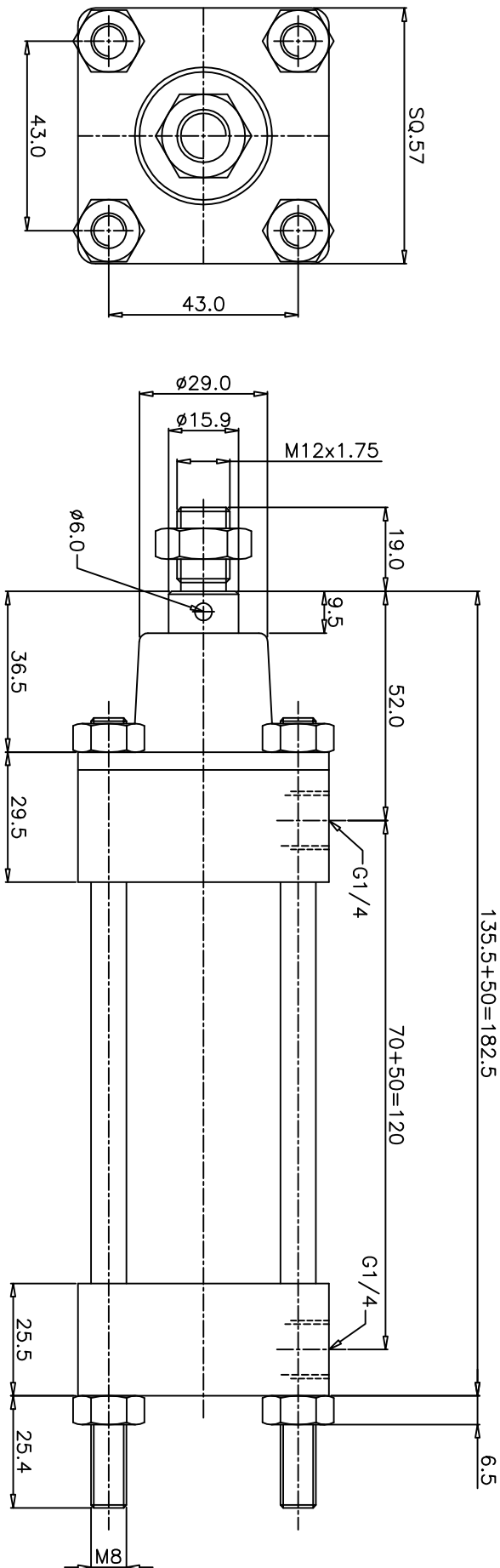
REVISIONS

SCHEDULES: ZAM/9175/50

ALL DIMENSIONS ARE IN mm
DO NOT SCALE THE DRAWING

DRG.No.

ZAM/9175/50



REMOVE BURRS AND SHARP CORNERS

NUCON INDUSTRIES PRIVATE LIMITED

ASSEMBLY:

1.75" BORE 50mm STROKE STD. CYLINDER

DRAWN V.VINAY 28.08.2008

CHECKED

APPROVED

DRG.No. ZAM/9175/50

SCALE:1:1

TITLE:

DATA SHEET



SHEET OF