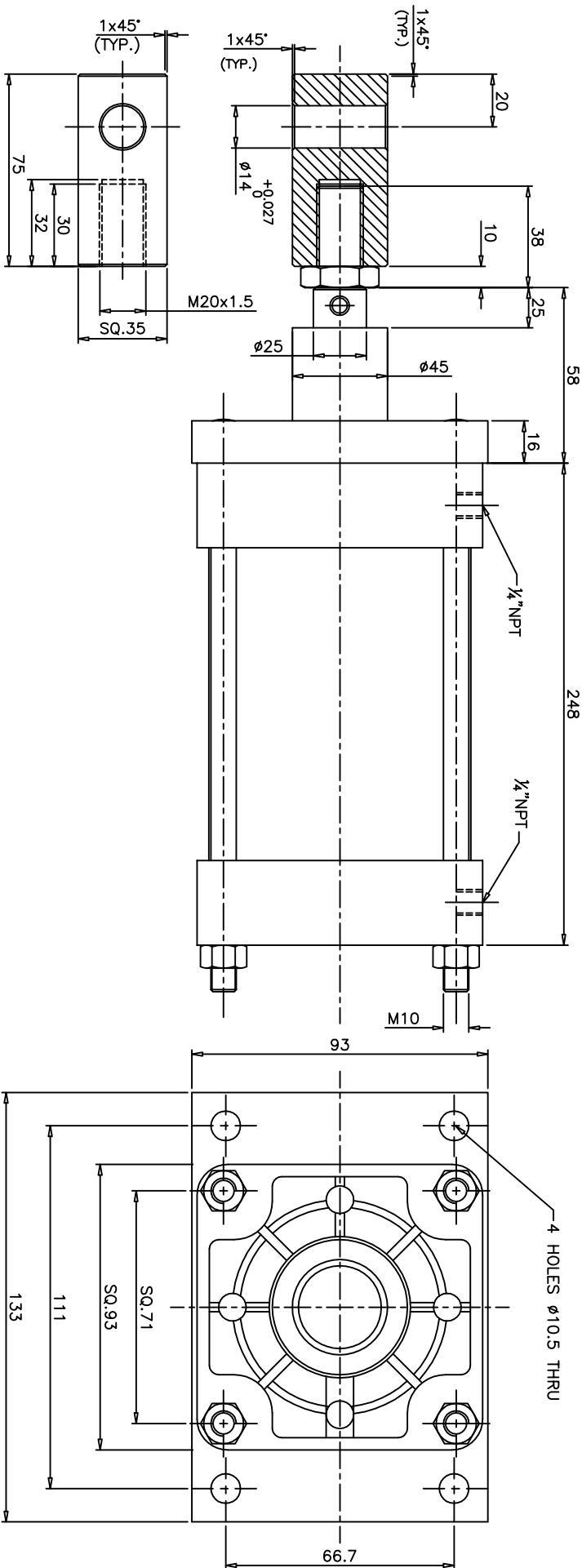


REVISIONS

SCHEDULES:

DRG.No.
DATA.ZKM/30002

ALL DIMENSIONS ARE IN mm
DO NOT SCALE THE DRAWING



TECHNICAL DATA

1. CYLINDER TYPE : DOUBLE ACTING WITH BOTH ENDS CUSHIONED
2. BORE DIA : 80
3. PISTON ROD DIA : 25
4. STROKE : 120
5. OPERATING PRESSURE : 2 - 10 bar
6. OPERATING TEMP. MAX. : + 80°C
7. MOUNTINGS : FRONT FLANGE MTG. STYLE-G (SPL.)
: ROD CLEVIS MTG. STYLE-F (SPL.)

REMOVE BURRS AND SHARP CORNERS

NUCON INDUSTRIES PRIVATE LIMITED

GENERAL TOLERANCES

MATERIAL:

FINISH:

Dimensions	0.5	6	30	120	400
Tolerances ±	0.1	0.2	0.3	0.5	0.8
Angular ±1/2°	Concentricity φ 0.1				

ASSEMBLY:

80mm BORE 120mm STROKE STAINLESS STEEL CYLINDER.

DRAWN : T.Prabhakar / 30.07.2006

CHECKED

APPROVED

SCALE: NTS

TITLE:

DATA SHEET

DRG.No.
DATA.ZKM/30002



SHEET OF