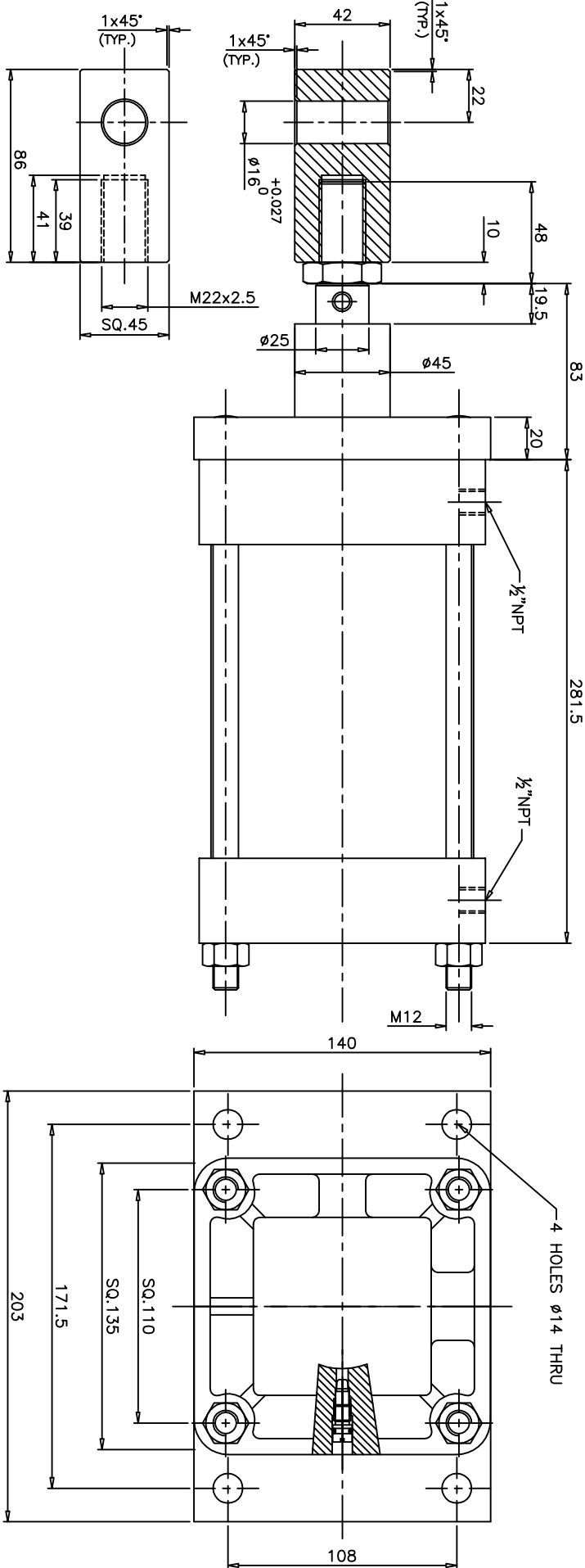


REVISIONS

SCHEDULES:

ALL DIMENSIONS ARE IN mm
DO NOT SCALE THE DRAWING

DRG.No.
DATA.ZKM/30004



TECHNICAL DATA

1. CYLINDER TYPE : DOUBLE ACTING WITH BOTH ENDS CUSHIONED
2. BORE DIA : 125
3. PISTON ROD DIA : 25
4. STROKE : 140
5. OPERATING PRESSURE : 2 - 10 bar
6. OPERATING TEMP. MAX. : + 80°C
7. MOUNTINGS : FRONT FLANGE MTG. STYLE-G (SPL.)
: ROD CLEVIS MTG. STYLE-F (SPL.)

REMOVE BURRS AND SHARP CORNERS

NUCON INDUSTRIES PRIVATE LIMITED

GENERAL TOLERANCES		MATERIAL:		FINISH:	
Dimensions	0.5 6 30 120 400				
Tolerances ±	6 30 120 400 1000				
Angular ±1/2°	0.1 0.2 0.3 0.5 0.8				
Concentricity φ	0.1				

ASSEMBLY: 125mm BORE 140mm STROKE STAINLESS STEEL CYLINDER.

SCALE: 1:1 TITLE: DATA SHEET

DRAWN	T.Prabhakar	30.07.2006
CHECKED		
APPROVED		
DRG.No.	DATA.ZKM/30004	
SHEET	OF	