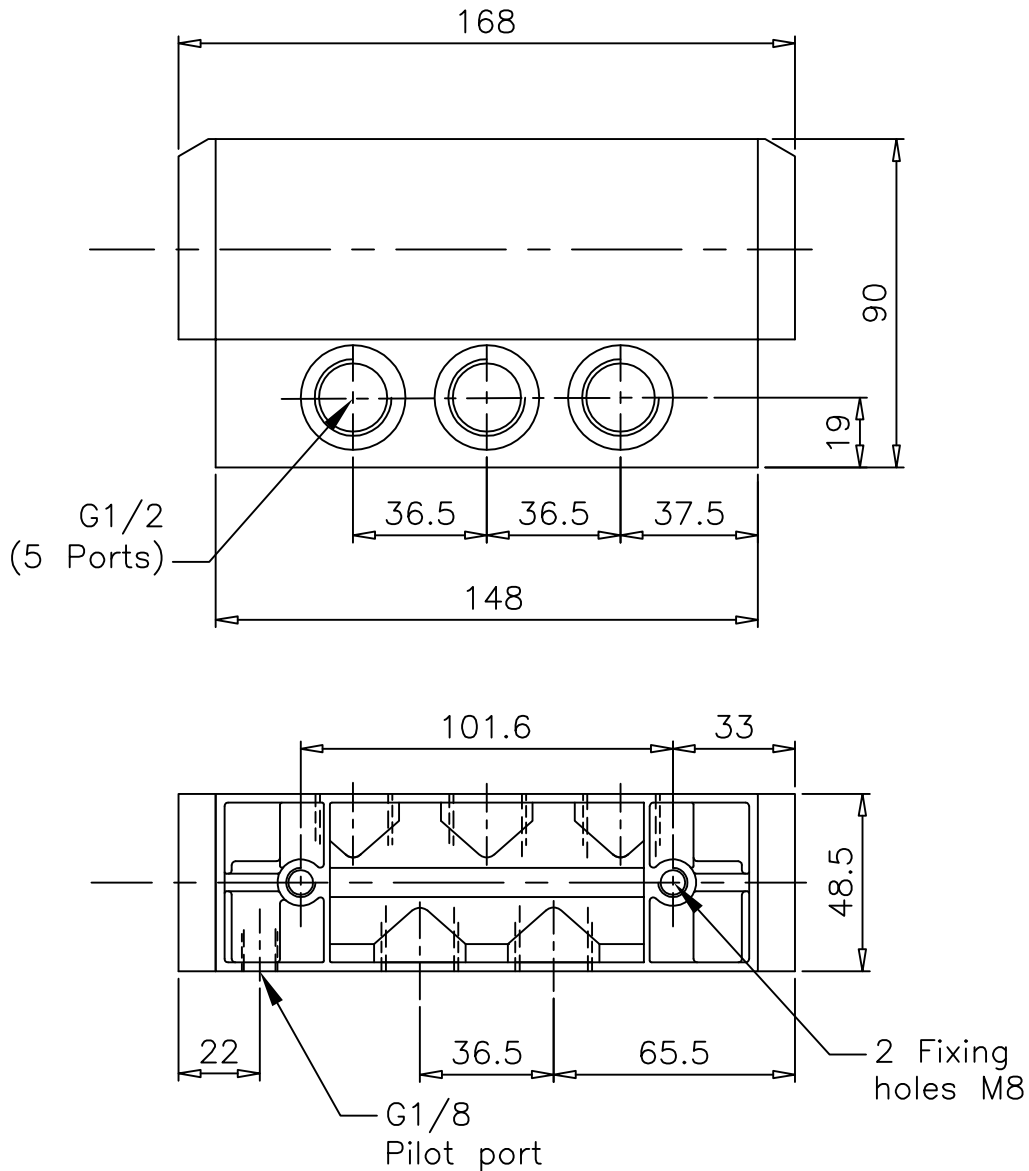
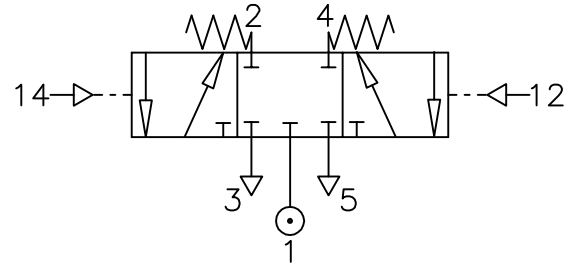


Spring Centralized, Pressure Actuated Fully sealed mid-position

ZM/1704/63

Type : 5/3
 Port Size : G1/2
 Operating Pressure : 2-10 bar
 Operating Temperature : +5°C to +80°C



ALL DIMENSIONS ARE IN mm

NUCON INDUSTRIES PRIVATE LIMITED
 88 , C.I.E , BALANAGAR ,
 HYDERABAD - 500 037

| | | |
|----------|-------------|------------|
| DRAWN | T.Prabhakar | 19.11.2007 |
| CHECKED | | |
| APPROVED | | |