

3/2 ELECTRICALLY ACTUATED VALVE

Miniature Solenoid models

Normally closed type

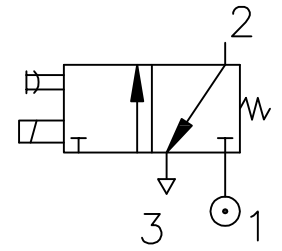
Sub-base mounted

Port Size : 1/8" BSP

Operating Pressure : 0 – 10 bar

Operating Temperature : Supply Air -5°C +50°C max.
: Ambient +5°C +50°C max.

ZM/49



ELECTRICAL

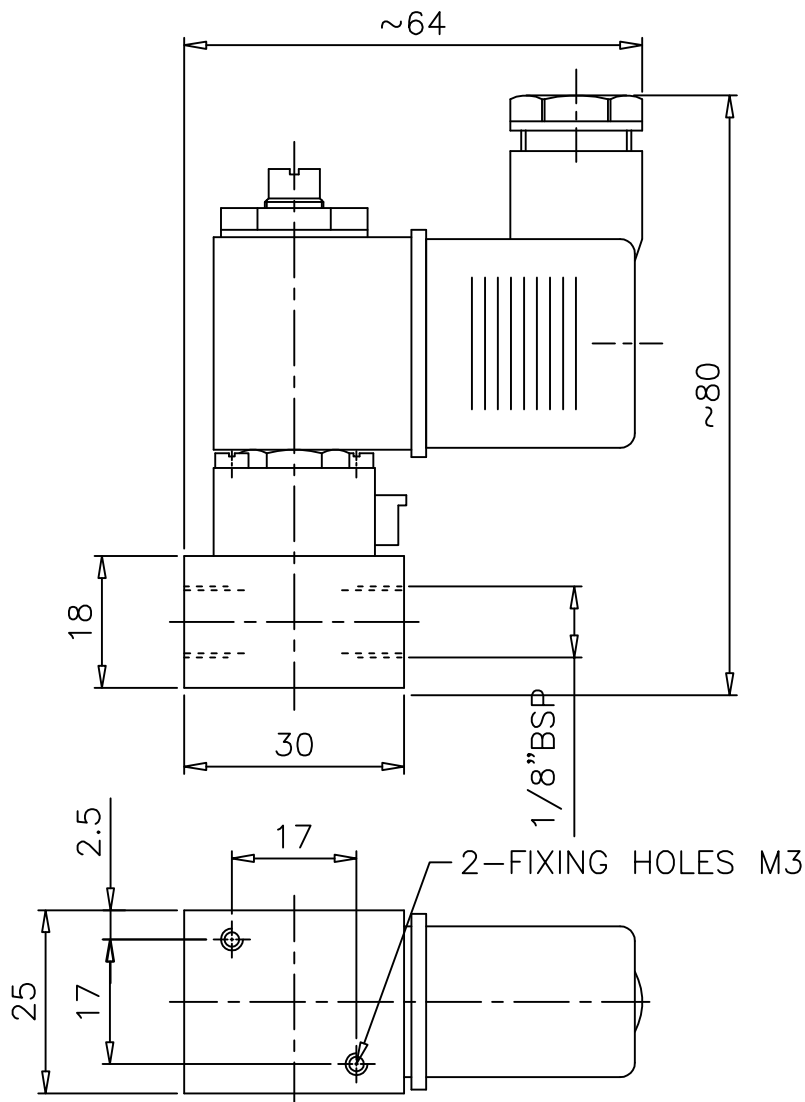
Coil Voltage : 220–240 VAC ; 50–60Hz (Code : 137)
: 110–120 VAC ; 50–60Hz (Code : 131)
: 24 VDC (Code : 10)

Insulation : Class 'H'

Protection Class : IP 65

Terminal Box : 3 Pin plug to IP 65

Response Time : On 12 ms , Off 15 ms



ALL DIMENSIONS ARE IN mm

NUCON ZANDER PRIVATE LIMITED

88 , C.I.E , BALANAGAR ,
HYDERABAD - 500 037

DRAWN	SREENIVAS.M	31.07.2002
CHECKED		
APPROVED		