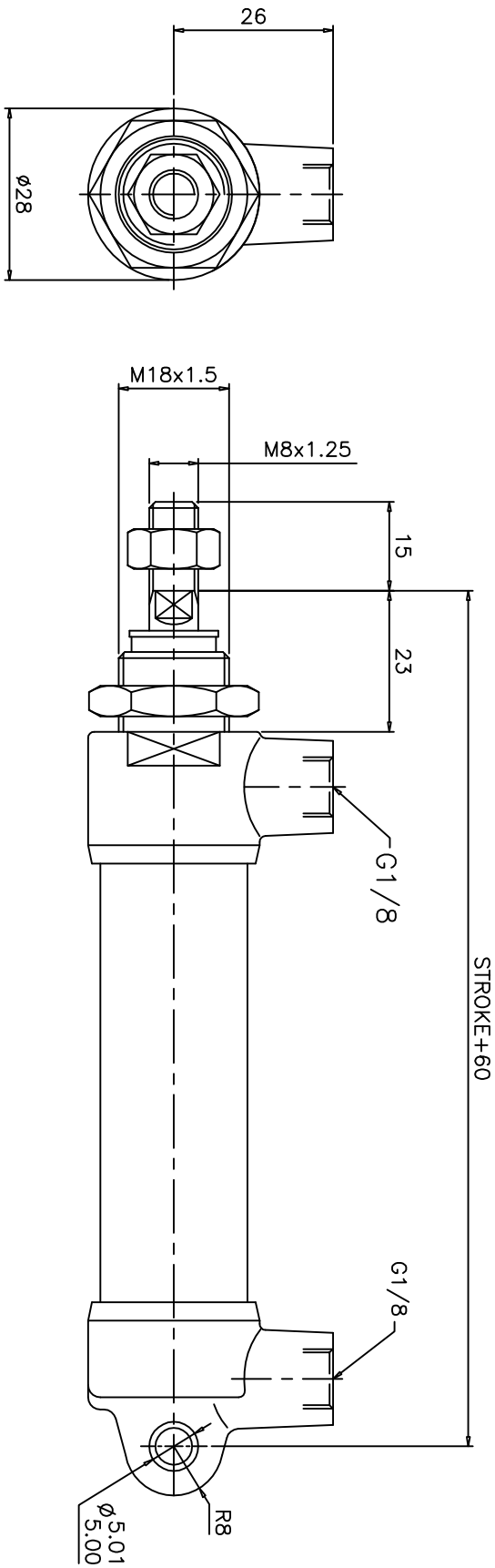


REVISIONS

SCHEDULES:

ALL DIMENSIONS ARE IN mm
DO NOT SCALE THE DRAWING

DRG.No.
DATA.ZM/6020



TECHNICAL DATA

- 1. CYLINDER TYPE : DOUBLE ACTING (MIDGET)
- 2. BORE DIA : 20 mm
- 3. PISTON ROD DIA : 8 mm
- 4. STROKE : AS REQUIRED
- 5. OPERATING PRESSURE : 2-10kg/cm² (g)
- 6. OPERATING TEMP.MAX. : + 80°C

NUCON INDUSTRIES PRIVATE LIMITED

CUSTOMER:

SCALE: NTS

TITLE:

DATA SHEET

DRAWN SREKANTH 04.10.2007

CHECKED

APPROVED

DRG.No.

DATA.ZM/6020

SHEET

OF