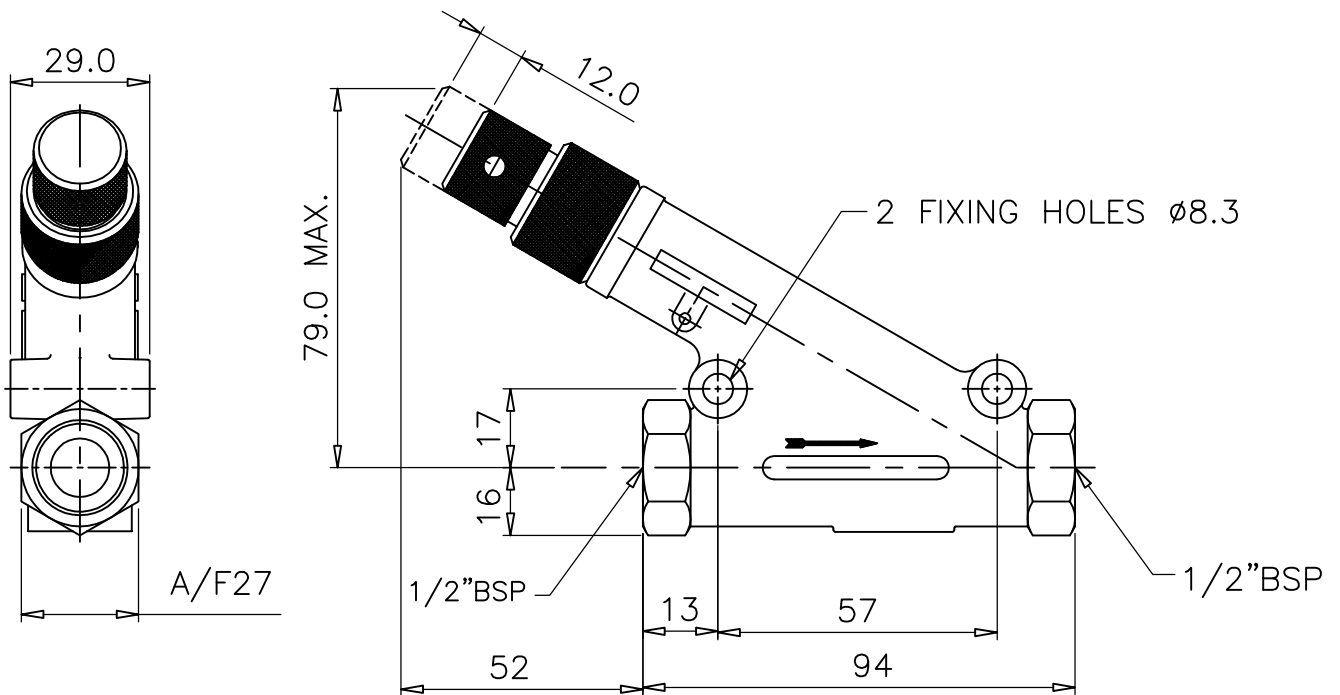
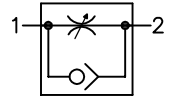


# ZM/839

## UNI-DIRECTIONAL FLOW REGULATOR

Medium	: Compressed air, filtered, lubricated & non lubricated
Mounting	: Line mounted, concentrically
Port Sizes	: 1/2" BSP
Operating Pressure	: 0 to 10 bar
Operating Temperature	: +80°C



ALL DIMENSIONS ARE IN mm

**NUCON INDUSTRIES PRIVATE LIMITED**

88 , C.I.E , BALANAGAR ,  
HYDERABAD - 500 037

DRAWN	T.Prabhakar	06.09.2008
CHECKED		
APPROVED		