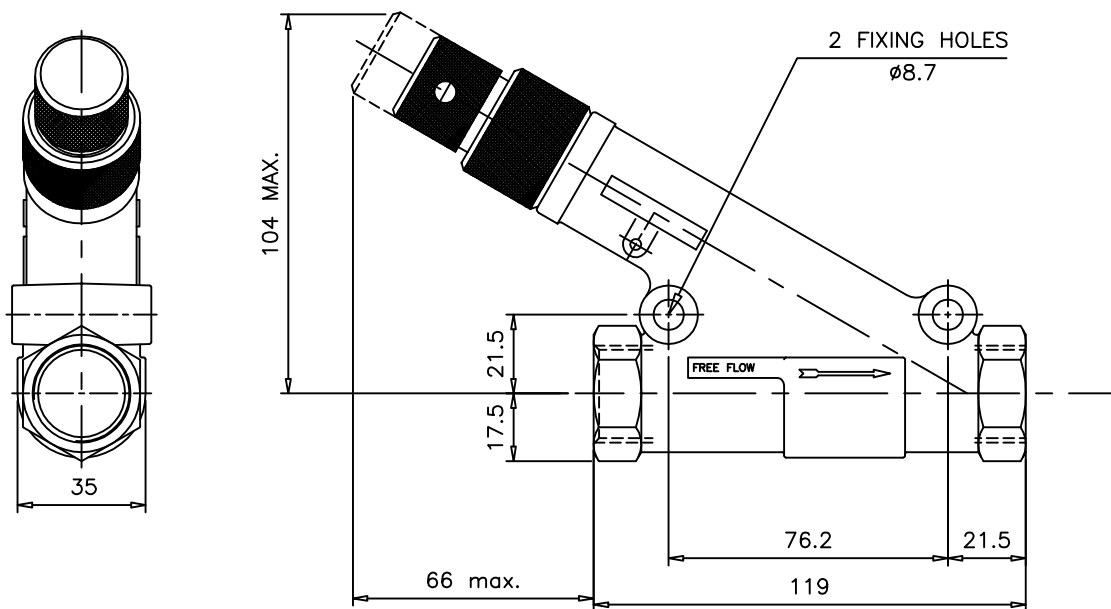
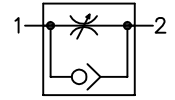


UNI-DIRECTIONAL FLOW REGULATOR

- Medium : Compressed air, filtered, lubricated & non lubricated
Mounting : Line mounted, concentrically
Port Sizes : 3/4" BSP
Operating Pressure : 0.3 to 16.7 bar
Operating Temperature : 0°C +80°C



ALL DIMENSIONS ARE IN mm

NUCON INDUSTRIES PRIVATE LIMITED

88 , C.I.E , BALANAGAR ,
HYDERABAD - 500 037

DRAWN	T.Prabhakar	06.09.2008
CHECKED		
APPROVED		