

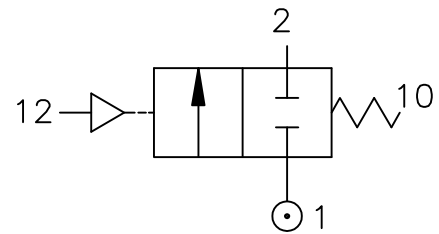
2/2 Poppet valve

Pressure actuated, spring return

ZNCN/1338

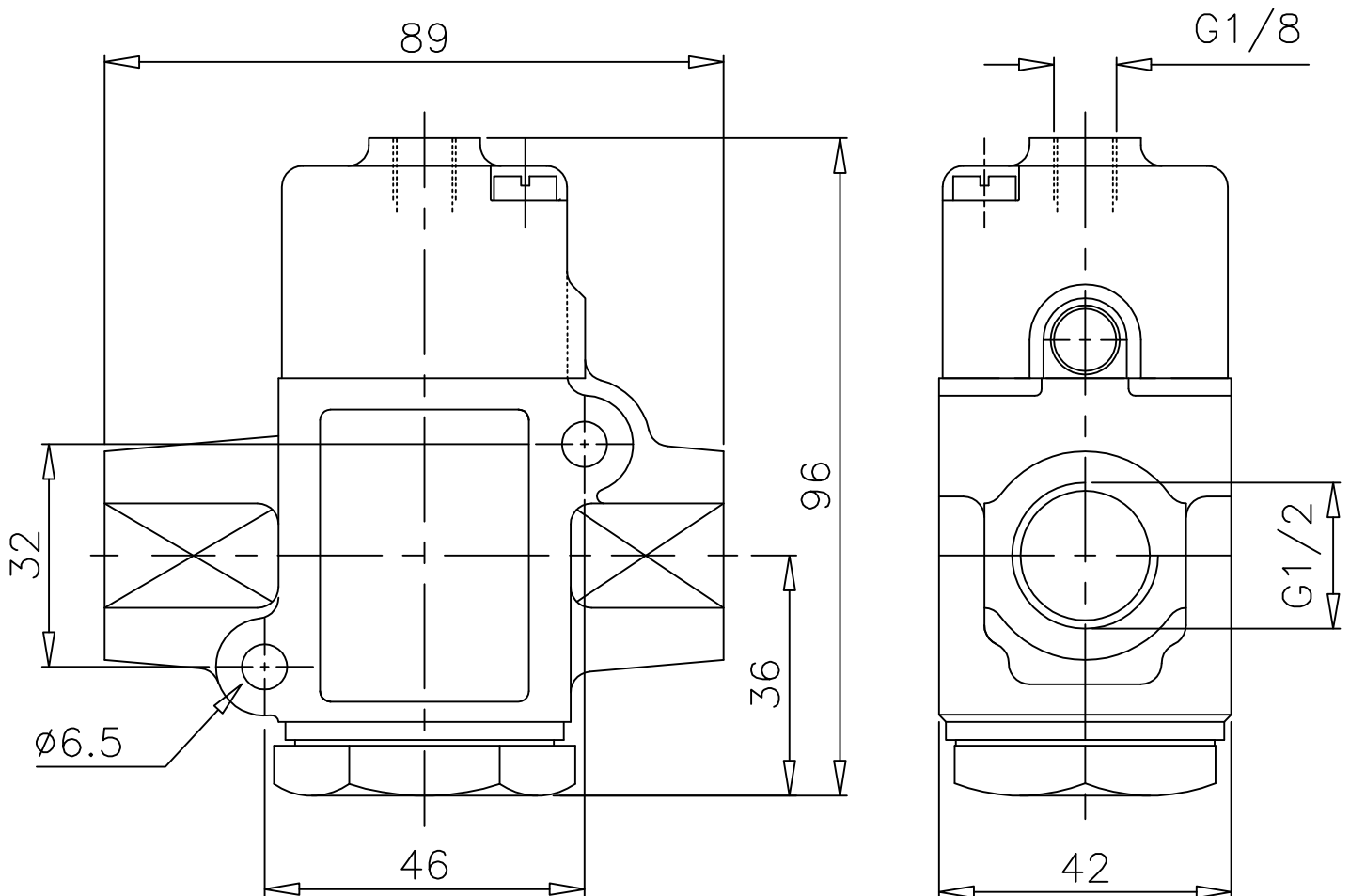
Features:

- Air pressure actuated
- Simple, rugged design
- Ideal for hydro pneumatic locking circuits



Technical Data:

Medium	: Compressed air, filtered, lubricated & non lubricate
Port Size	: G1/2
Mounting	: Through holes in valve body
Operating Pressure	: 0 – 10bar
Operating Temp.	: 0°C to +80°C
Pilot pressure	: 1.3 + (0.5xsupply pressure) bar
Flow (Cv)	: 4.1



ALL DIMENSIONS ARE IN mm

NUCON ZANDER PRIVATE LIMITED
88 , C.I.E , BALANAGAR ,
HYDERABAD – 500 037

DRAWN	SREENIVAS.M	05.07.2004
CHECKED		
APPROVED		