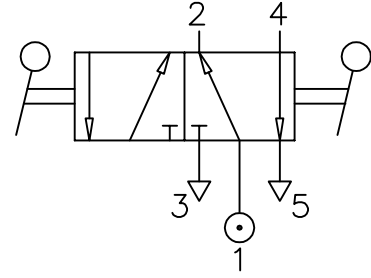


Hand Lever Operated, Set Reset

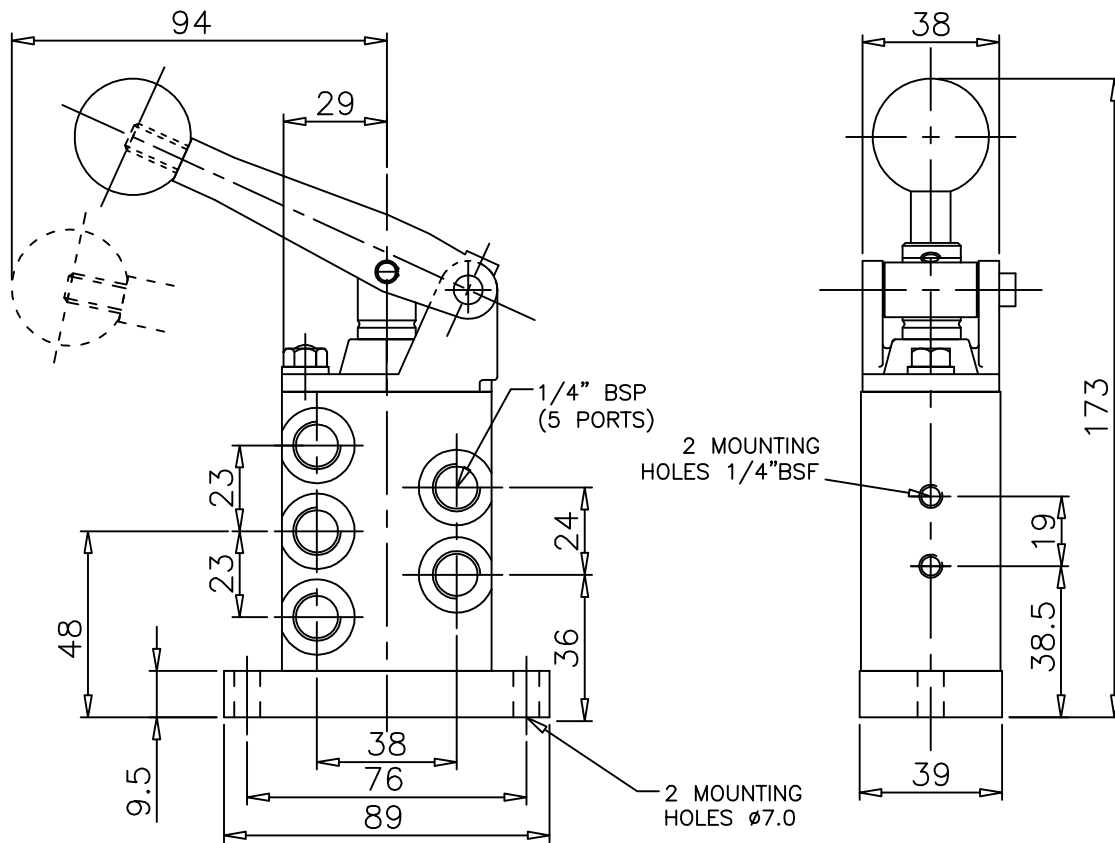
ZNCN/564/7/2PN

Type : 5/2
 Port Size : G1/4
 Operating Pressure : 1 - 7 bar
 Operating Temperature : 0°C to +80°C
 Manual Operating Force : 2000N approx



MATERIAL OF CONSTRUCTION

Body : Aluminium
 Seals : Nitrile



ALL DIMENSIONS ARE IN mm