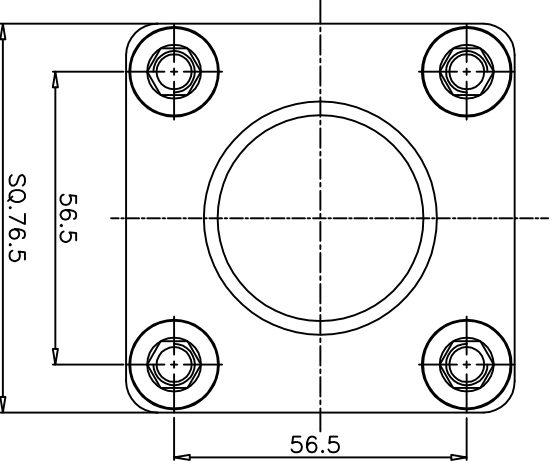
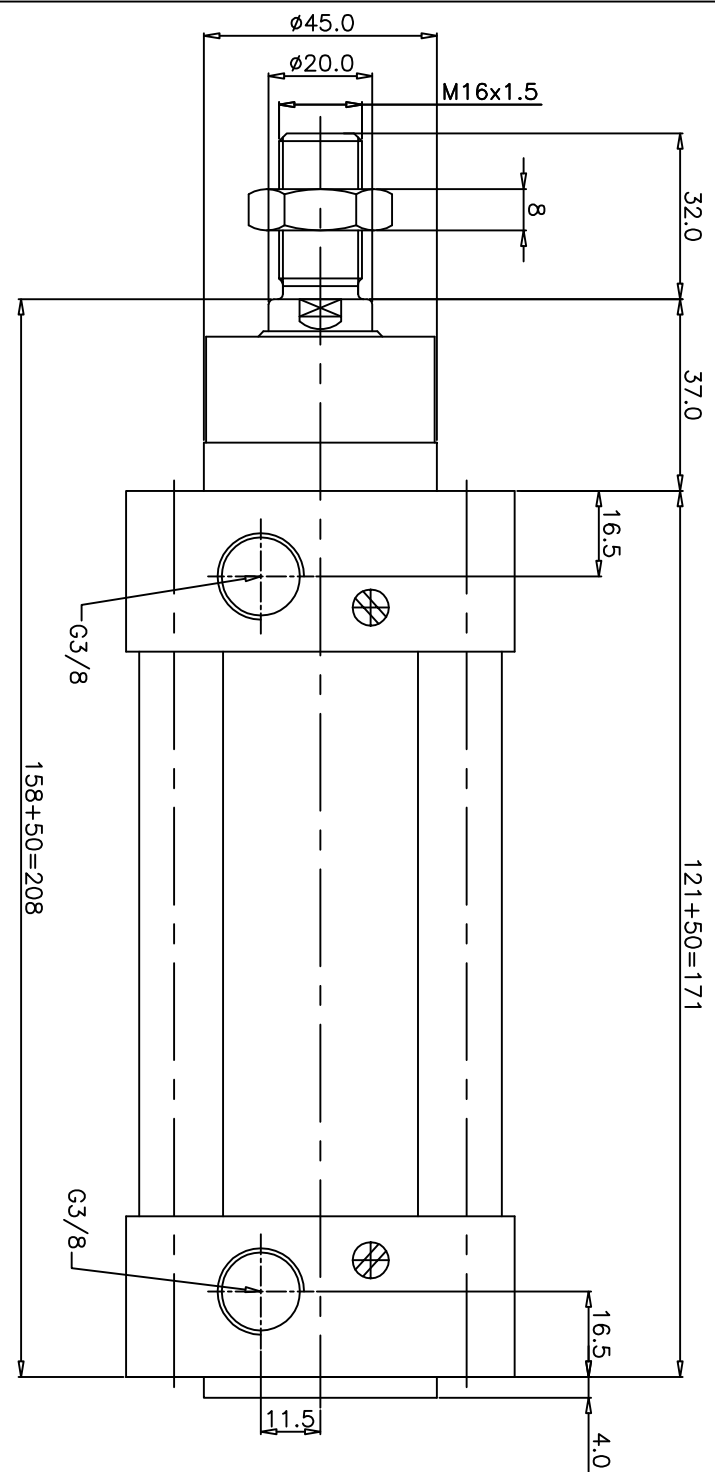


REVISIONS

SCHEDULES: ZPRM/8063/50

DRG.No. ZPRM/8063/50

ALL DIMENSIONS ARE IN mm  
DO NOT SCALE THE DRAWING



REMOVE BURRS AND SHARP CORNERS

# NUCON INDUSTRIES PRIVATE LIMITED

ASSEMBLY: 63mm BORE 50mm STROKE STD. CYLINDER

SCALE: 1:1	TITLE: DATA SHEET	DRG.No. ZPRM/8063/50
DRAWN: V.VINAY	CHECKED: [ ]	APPROVED: [ ]
28.08.2008		
SHEET [ ]	OF [ ]	