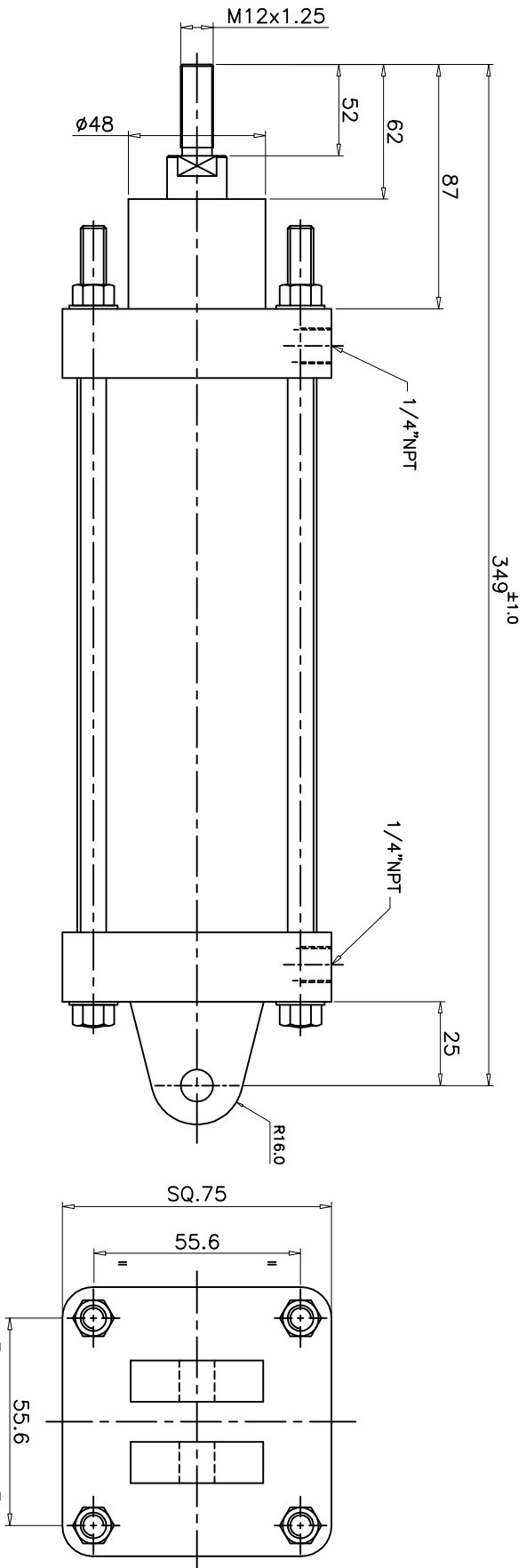


REVISIONS

SCHEDULES: ZM/925/152/D/SPL

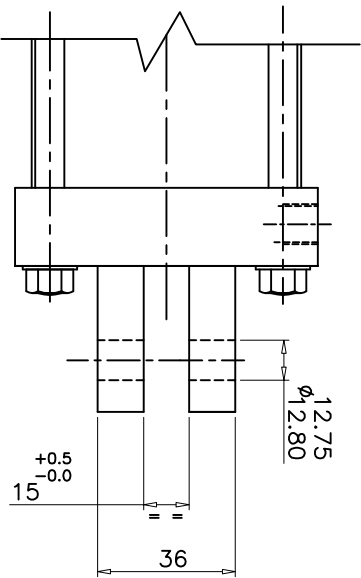
DRG.No.
DATA.ZRM/41001

ALL DIMENSIONS ARE IN mm
DO NOT SCALE THE DRAWING



TECHNICAL DATA

- 1. CYLINDER TYPE : DOUBLE ACTING NON CUSHIONED
- 2. BORE DIA : 63
- 3. PISTON ROD DIA : 25.4
- 4. STROKE : 152
- 5. OPERATING PRESSURE : 2 - 10 bar
- 6. OPERATING TEMP. MAX. : + 80°C (NITRILE)
- 7. MOUNTINGS : REAR CLEVIS MTG. STYLE-D (SPL)
(INTEGRAL REAR END COVER)



REMOVE BURRS AND SHARP CORNERS

NUCON INDUSTRIES PRIVATE LIMITED

ASSEMBLY:

63mm BORE 152mm STROKE CAST IRON NON-CUSHIONED CYLINDER

SCALE: NTS TITLE:

DATA SHEET



DRAWN	D.SATISH	24.10.2006
CHECKED		
APPROVED		
DRG.No.	DATA.ZRM/41001	
SHEET	OF	