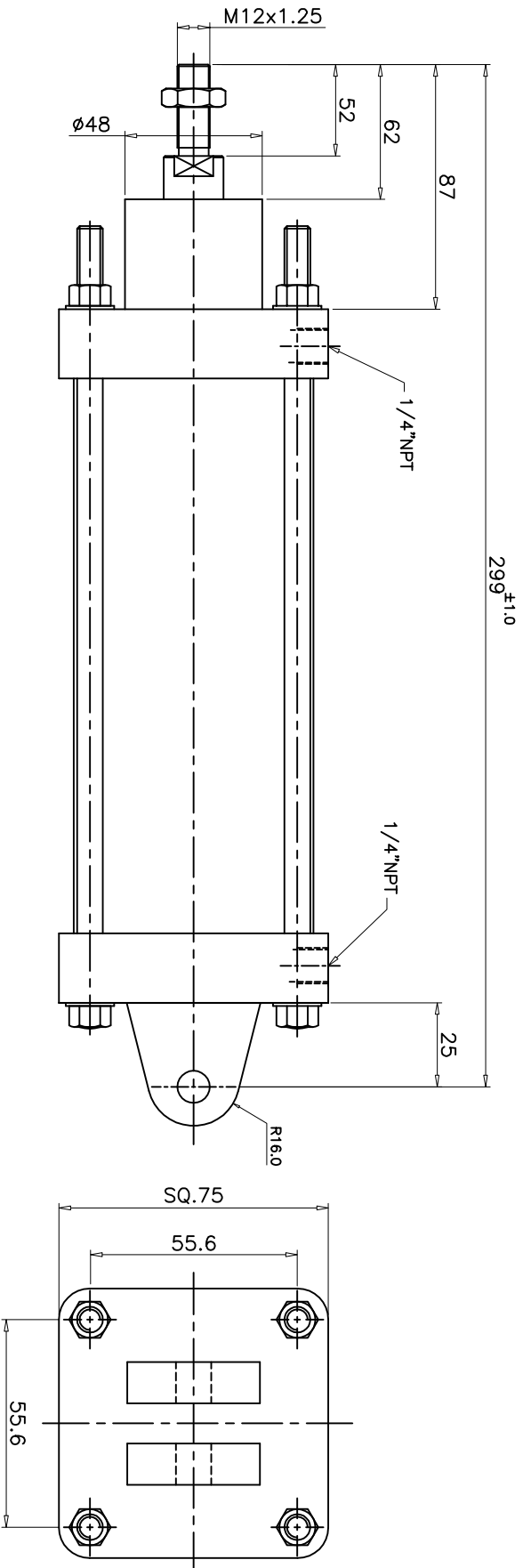
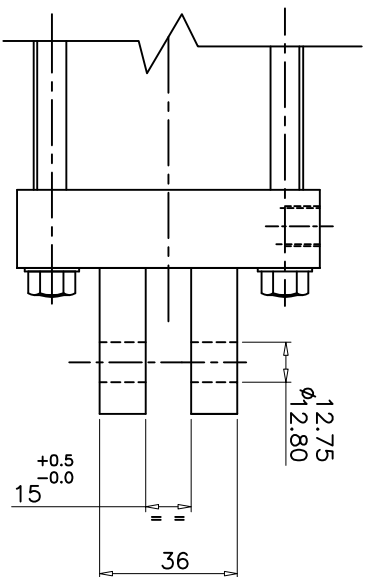


ALL DIMENSIONS ARE IN mm  
DO NOT SCALE THE DRAWING



**TECHNICAL DATA**

- 1. CYLINDER TYPE : DOUBLE ACTING NON CUSHIONED
- 2. BORE DIA : 2.5"
- 3. PISTON ROD DIA : 25.4 mm
- 4. STROKE : 102 mm
- 5. OPERATING PRESSURE : 2 - 10 bar
- 6. OPERATING TEMP. MAX. : + 80°C (NITRILE)  
: OPTION : + 150°C (VITON)
- 7. MOUNTINGS : REAR CLEVIS MTG. STYLE-D (SPL)  
(INTEGRAL REAR END COVER)



REMOVE BURRS AND SHARP CORNERS

**NUCON INDUSTRIES PRIVATE LIMITED**

ASSEMBLY:

63mm BORE 102mm STROKE CAST IRON NON-CUSHIONED CYLINDER

SCALE: NTS TITLE:

DATA SHEET



|          |                |            |
|----------|----------------|------------|
| DRAWN    | D.SATISH       | 08.09.2006 |
| CHECKED  |                |            |
| APPROVED |                |            |
| DRG.No.  | DATA.ZRM/41002 |            |
| SHEET    | OF             |            |