

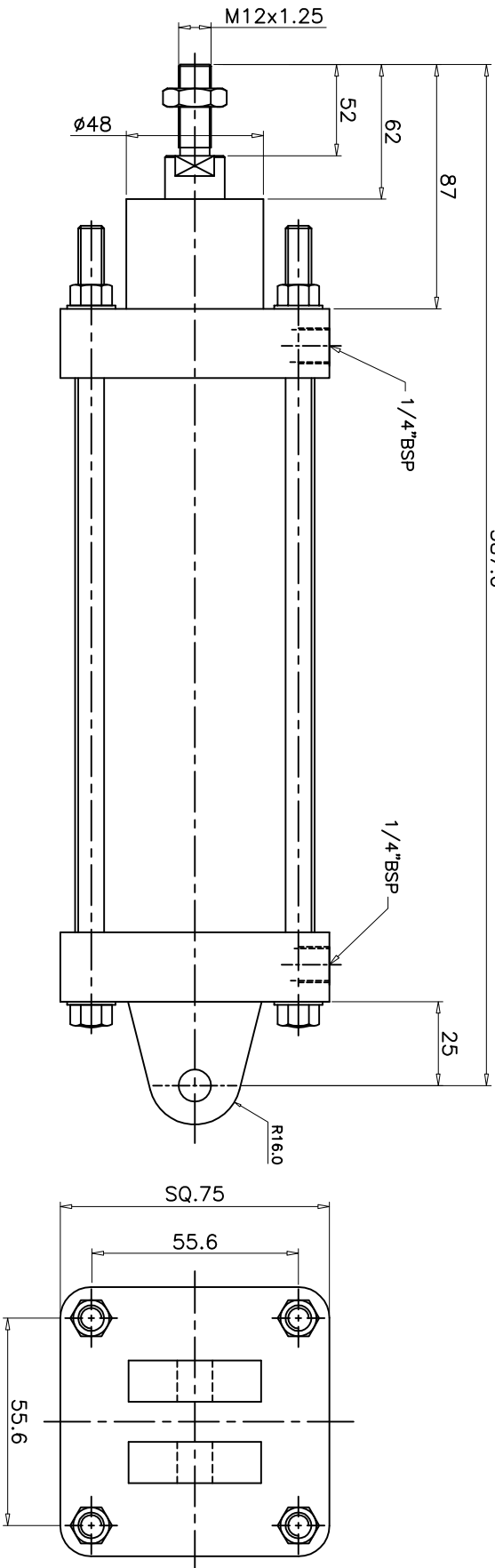
REVISIONS

SCHEDULES: ZM/925/190/D/SPL

DRG.No.
DATA.ZRM/41005

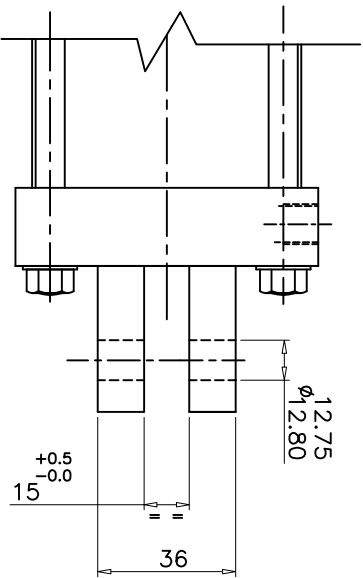
ALL DIMENSIONS ARE IN mm
DO NOT SCALE THE DRAWING

387.0±0.1



TECHNICAL DATA

- 1. CYLINDER TYPE : DOUBLE ACTING NON CUSHIONED
- 2. BORE DIA : 2.5"
- 3. PISTON ROD DIA : 25.4 mm
- 4. STROKE : 190 mm
- 5. OPERATING PRESSURE : 2 - 10 bar
- 6. OPERATING TEMP. MAX. : + 80°C (NITRILE)
- 7. MOUNTINGS : REAR CLEVIS MTG. STYLE-D (SPL)
(INTEGRAL REAR END COVER)



REMOVE BURRS AND SHARP CORNERS

NUCON INDUSTRIES PRIVATE LIMITED

ASSEMBLY:

63mm BORE 190mm STROKE CAST IRON NON-CUSHIONED CYLINDER

DRAWN : D.SATISH : 08.09.2006

CHECKED : :
APPROVED : :

SCALE: NTS

TITLE:

DATA SHEET

DRG.No.
DATA.ZRM/41005
SHEET OF