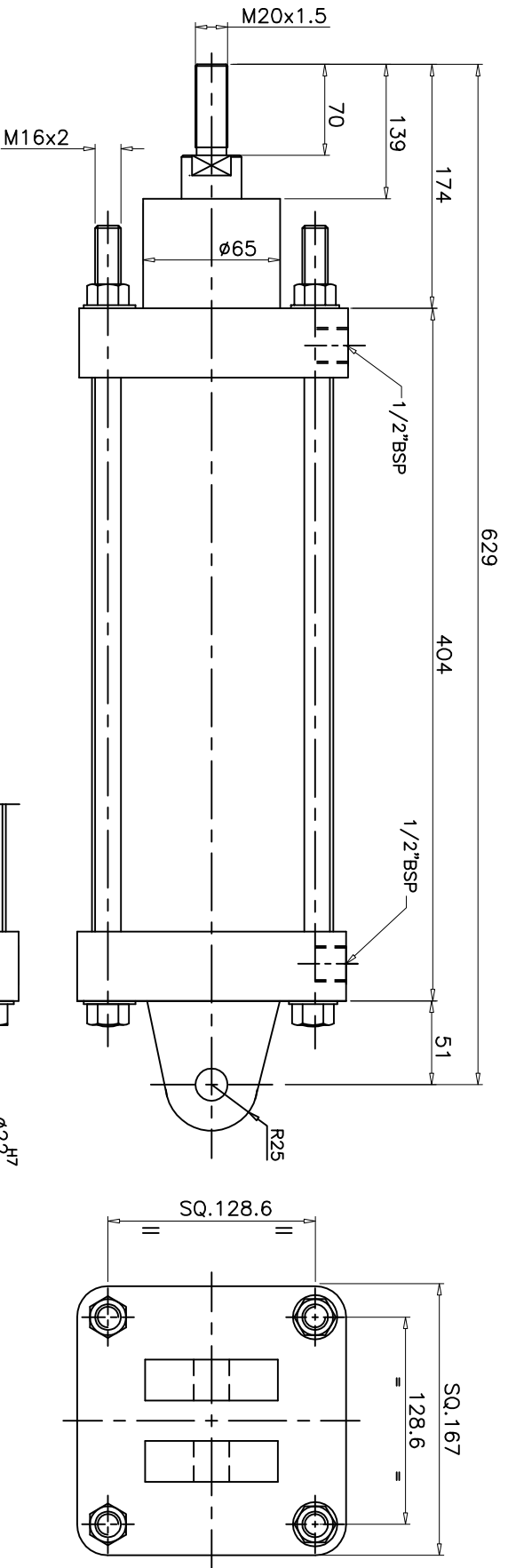


REVISIONS

SCHEDULES: M/960/254/D/SPL

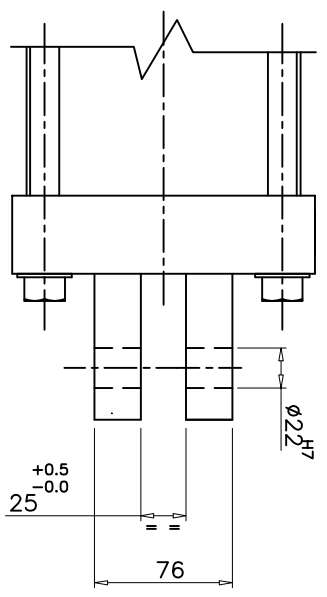
DRG.No.
DATA.ZRM/41009

ALL DIMENSIONS ARE IN mm
DO NOT SCALE THE DRAWING



TECHNICAL DATA

- 1. CYLINDER TYPE : DOUBLE ACTING NON CUSHIONED
- 2. BORE DIA : 6"
- 3. PISTON ROD DIA : 38.1 mm
- 4. STROKE : 254 mm
- 5. WORKING PRESSURE : 5-8kg/cm² (g)
- 6. TEST PRESSURE : 16 Kg/cm² (g)
- 7. OPERATING TEMP. MAX. : + 80°C
- 8. MOUNTINGS : REAR PIVOT MTG. STYLE-D (INTEGRAL)



REMOVE BURRS AND SHARP CORNERS

NUCON INDUSTRIES PRIVATE LIMITED

ASSEMBLY: 150mm BORE 254mm STROKE CAST IRON NON-CUSHIONED CYLINDER

SCALE: NTS TITLE: DATA SHEET

DRAWN	D.SATISH	22.09.2006
CHECKED		
APPROVED		

DRG.No. DATA.ZRM/41009

SHEET OF