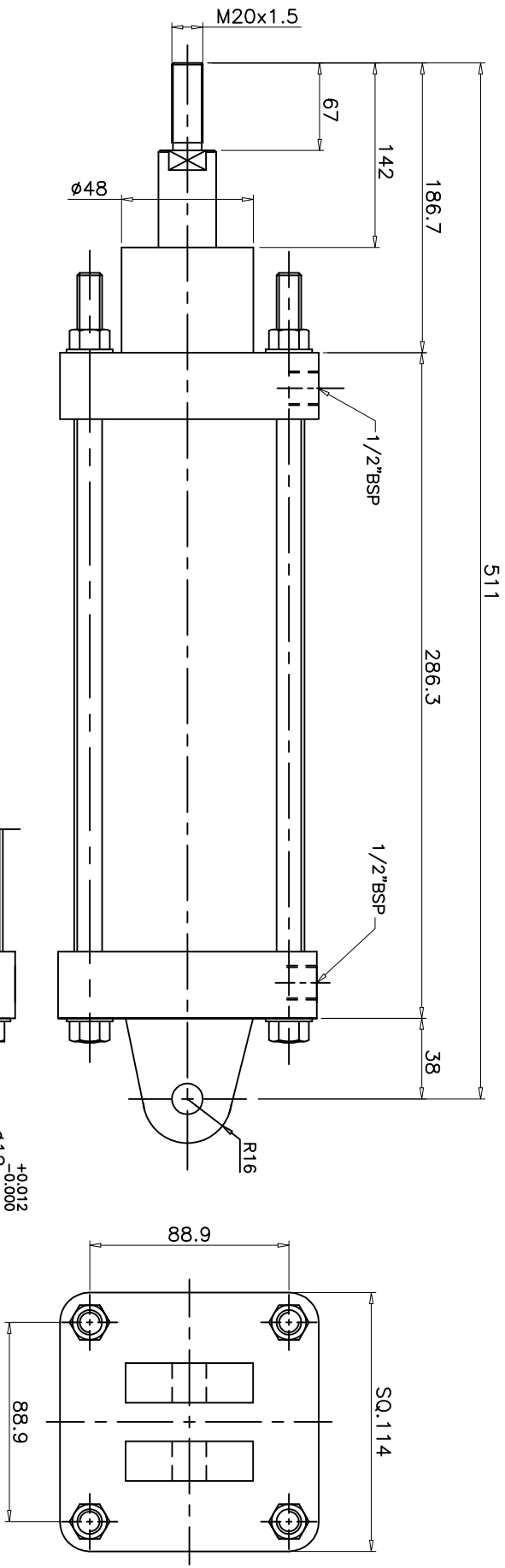


REVISIONS

SCHEDULES: M/940/162/D/SPL

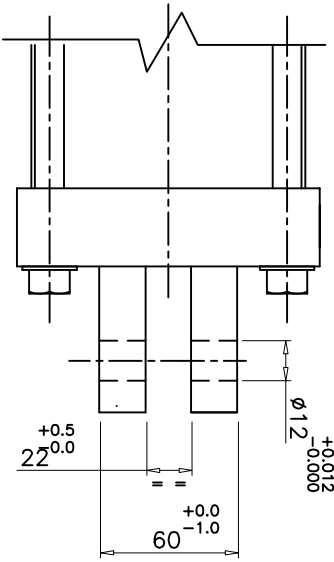
DRG.No.  
DATA.ZRM/41010

ALL DIMENSIONS ARE IN mm  
DO NOT SCALE THE DRAWING



### TECHNICAL DATA

1. CYLINDER TYPE : DOUBLE ACTING NON CUSHIONED
2. BORE DIA : 4"
3. PISTON ROD DIA : 25.4 mm
4. STROKE : 162 mm
5. OPERATING PRESSURE : 5-7kg/cm<sup>2</sup> (g)
6. TEST PRESSURE : 10.5kg/cm<sup>2</sup> (g)
7. OPERATING TEMP. MAX. : + 80°C
8. MOUNTINGS : REAR CLEVIS MTG. STYLE-D (SPL)



REMOVE BURRS AND SHARP CORNERS

## NUCON INDUSTRIES PRIVATE LIMITED

ASSEMBLY:

100mm BORE 162mm STROKE CAST IRON NON-CUSHIONED CYLINDER

SCALE: NTS TITLE:

### DATA SHEET



DRAWN	D.SATISH	22.09.2006
CHECKED		
APPROVED		
DRG.No.	DATA.ZRM/41010	
SHEET	OF	