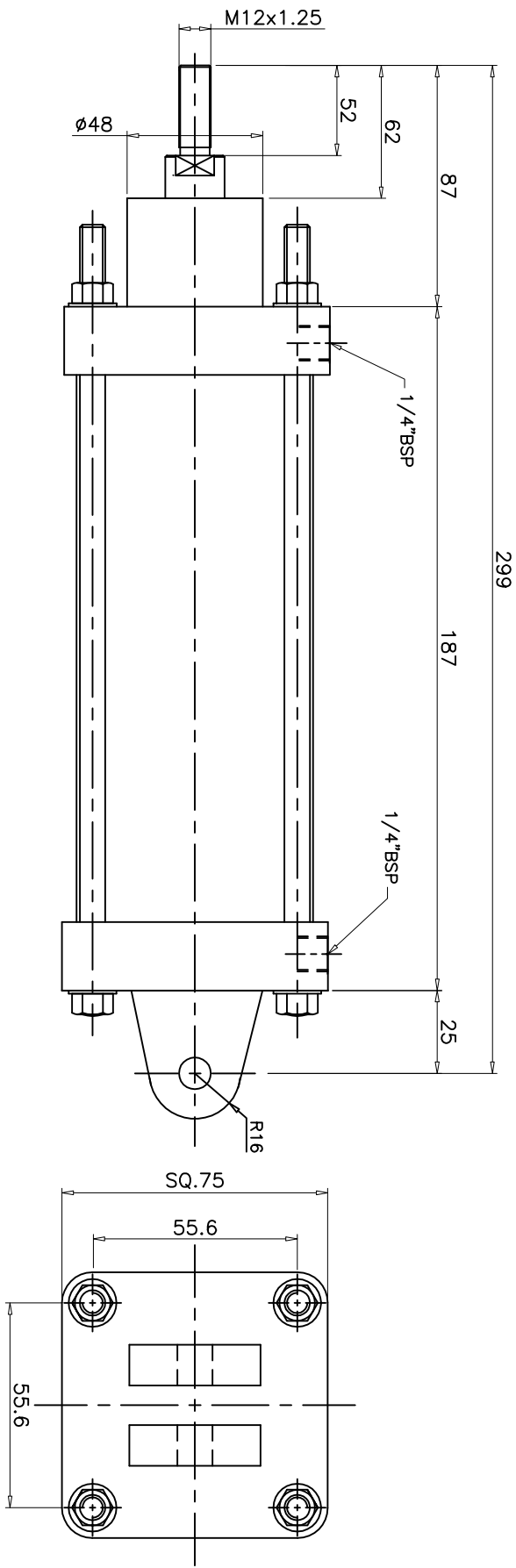
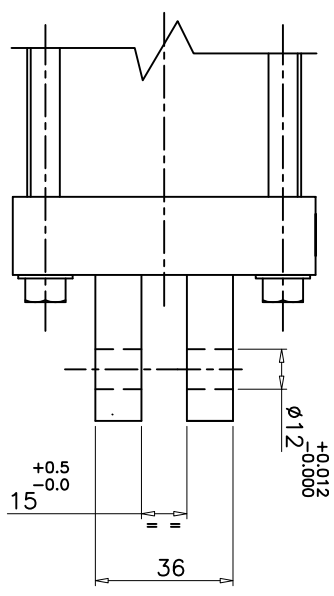


ALL DIMENSIONS ARE IN mm  
DO NOT SCALE THE DRAWING



**TECHNICAL DATA**

- 1. CYLINDER TYPE : DOUBLE ACTING NON CUSHIONED
- 2. BORE DIA : 2.5"
- 3. PISTON ROD DIA : 25.4 mm
- 4. STROKE : 102 mm
- 5. OPERATING PRESSURE : 5-7kg/cm<sup>2</sup>(g)
- 6. TEST PRESSURE : 10.5kg/cm<sup>2</sup>(g)
- 7. OPERATING TEMP. MAX. : + 80°C
- 8. MOUNTINGS : REAR CLEVIS MTG. STYLE-D (SPL)



REMOVE BURRS AND SHARP CORNERS

**NUCON INDUSTRIES PRIVATE LIMITED**

ASSEMBLY: 63mm BORE 102mm STROKE CAST IRON NON-CUSHIONED CYLINDER

SCALE: NTS TITLE: DATA SHEET

DRAWN	D.SATISH	22.09.2006
CHECKED		
APPROVED		
DRG.No.	DATA.ZRM/41011	
SHEET	OF	