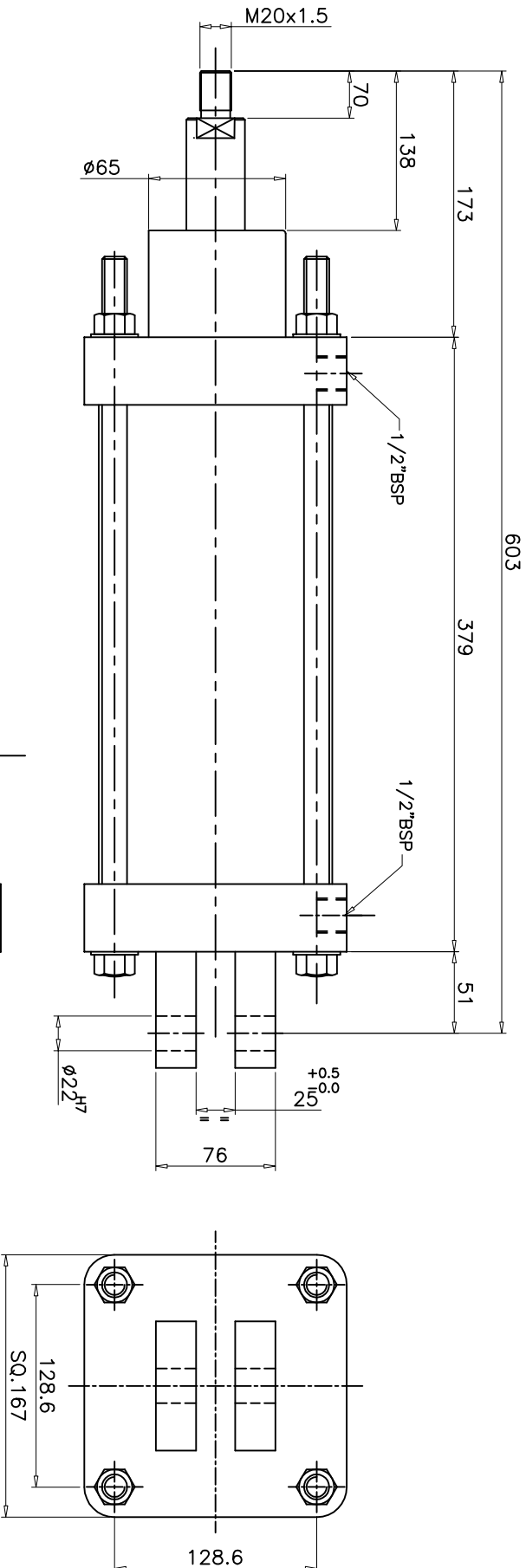


REVISIONS

SCHEDULES: M/960/229/D/SPL

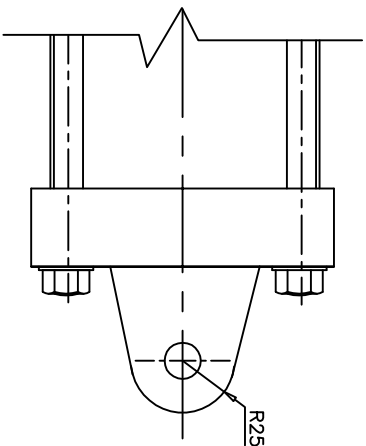
DRG.No.
DATA.ZRM/41016

ALL DIMENSIONS ARE IN mm
DO NOT SCALE THE DRAWING



TECHNICAL DATA

1. CYLINDER TYPE : DOUBLE ACTING NON CUSHIONED
2. BORE DIA : 6"
3. PISTON ROD DIA : 38.1 mm
4. STROKE : 229 mm
5. OPERATING PRESSURE : 4-8 kg/cm (g)
6. TEST PRESSURE : 16 kg/cm (g)
7. OPERATING TEMP.MAX. : + 80°C
8. MOUNTINGS : REAR CLEVIS MTG. STYLE-D (SPL)
9. AIR LEAKAGE PR. : 8 kg/cm (g)



REMOVE BURRS AND SHARP CORNERS

NUCON INDUSTRIES PRIVATE LIMITED

ASSEMBLY:

150mm BORE 229mm STROKE CAST IRON NON-CUSHIONED CYLINDER

SCALE: NTS

TITLE:

DATA SHEET



DRAWN	D.SATISH	28.09.2006
CHECKED		
APPROVED		
DRG.No.	DATA.ZRM/41016	
SHEET	OF	