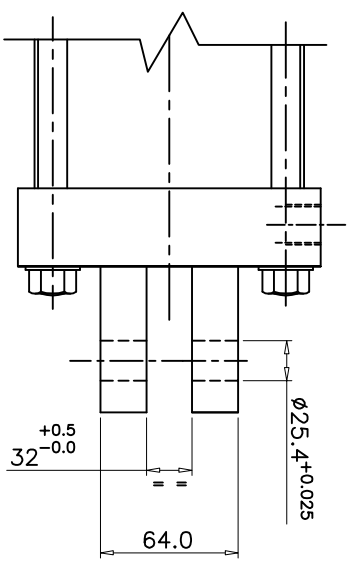
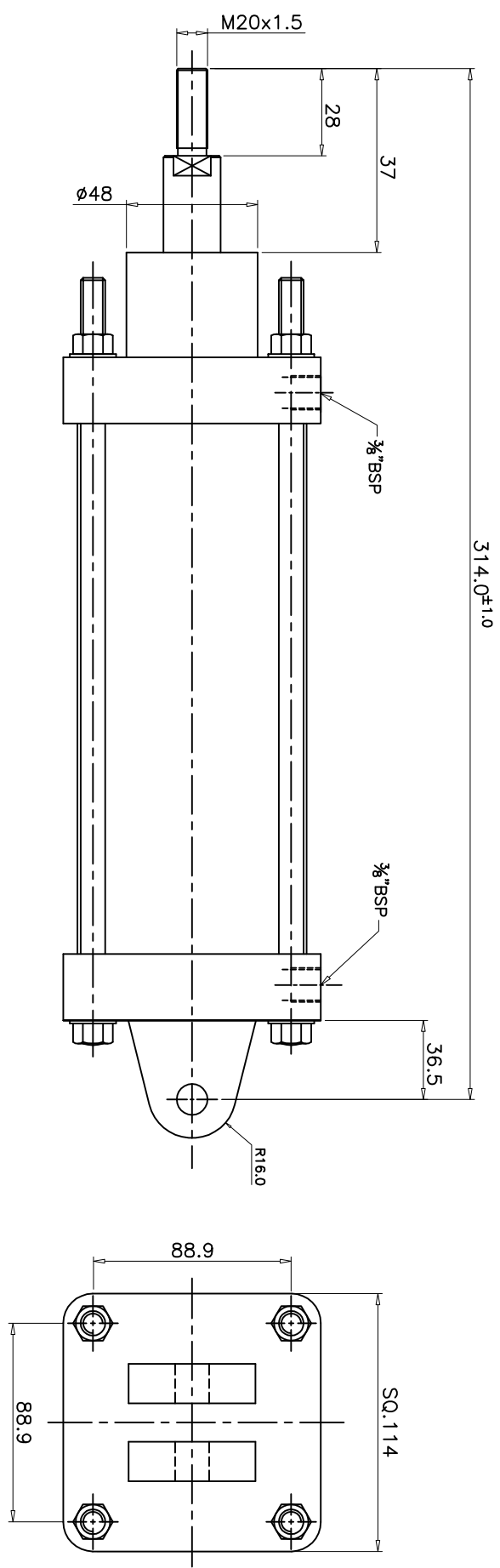


ALL DIMENSIONS ARE IN mm
DO NOT SCALE THE DRAWING



TECHNICAL DATA

- 1. CYLINDER TYPE : DOUBLE ACTING NON - CUSHIONED
- 2. BORE DIA : 4"
- 3. PISTON ROD DIA : 25.4 mm
- 4. STROKE : 225 mm
- 5. OPERATING PRESSURE : 2-10 bar
- 6. OPERATING TEMP.MAX. : + 80°C (NITRILE)
- 7. MOUNTINGS : REAR CLEVIS MTG. INTEGRAL

REMOVE BURRS AND SHARP CORNERS

NUCON INDUSTRIES PRIVATE LIMITED

ASSEMBLY:	4" BORE 111mm STROKE CAST IRON NON-CUSHIONED CYLINDER
SCALE: NTS	TITLE:
DATA SHEET	

DRAWN	D.SATISH	08.09.2006
CHECKED		
APPROVED		
DRG.No.	DATA.ZRM/41017	
SHEET	OF	