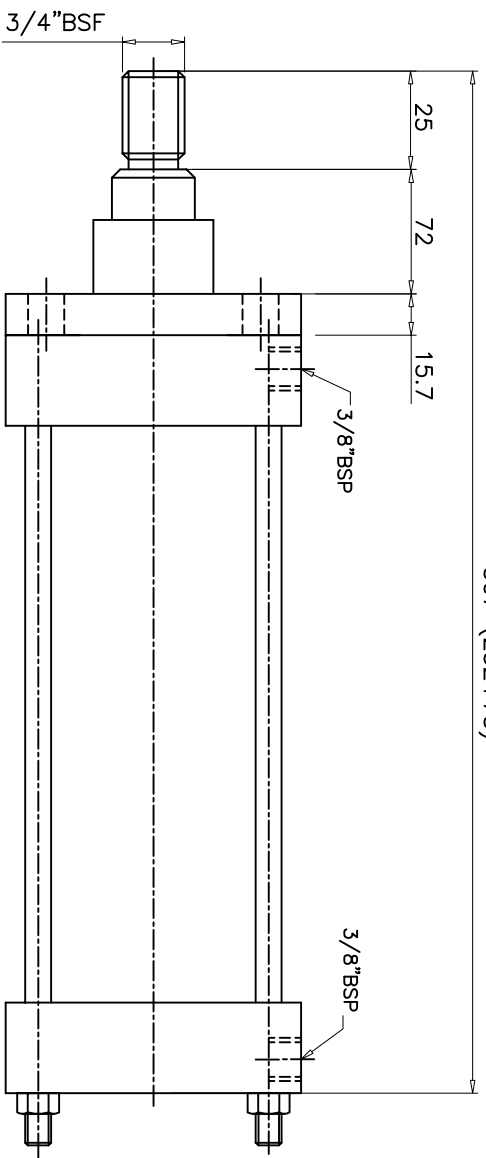
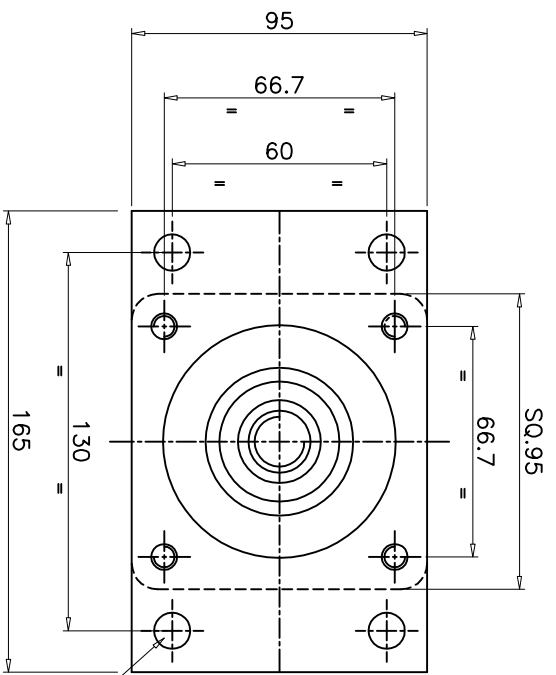


ALL DIMENSIONS ARE IN mm
DO NOT SCALE THE DRAWING



TECHNICAL DATA

- 1. CYLINDER TYPE : DOUBLE ACTING NON - CUSHIONED
- 2. BORE DIA : 3"
- 3. PISTON ROD DIA : 25.4mm
- 4. STROKE : 75 mm
- 5. OPERATING PRESSURE : 5-8 Kg/cm² (g)
- 6. TEST PRESSURE : 16 Kg/cm² (g)
- 7. OPERATING TEMP. MAX. : + 80°C
- 8. MOUNTINGS : REAR CLEVIS MTG. STYLE-D (INTEGRAL)

REMOVE BURRS AND SHARP CORNERS

NUCON INDUSTRIES PRIVATE LIMITED

ASSEMBLY: 3" BORE 75mm STROKE CAST IRON NON-CUSHIONED CYLINDER

SCALE: NTS TITLE:

DATA SHEET



DRAWN	D.SATISH	28.09.2006
CHECKED		
APPROVED		
DRG.No.	DATA.ZRM/41018	
SHEET	OF	