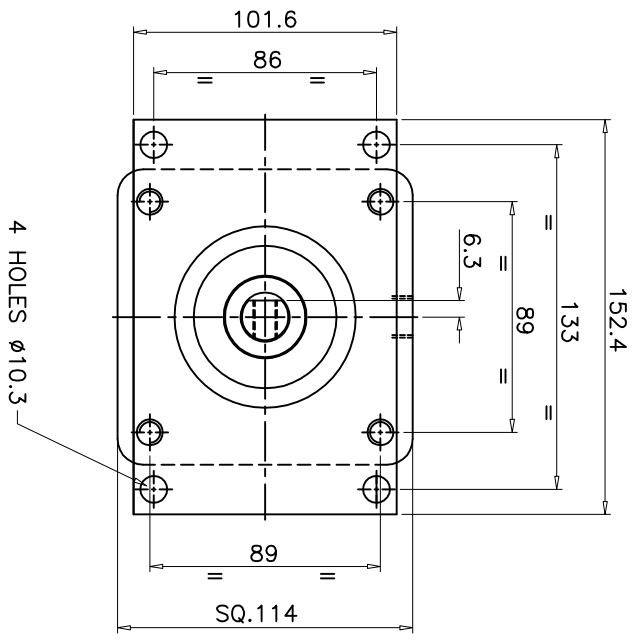
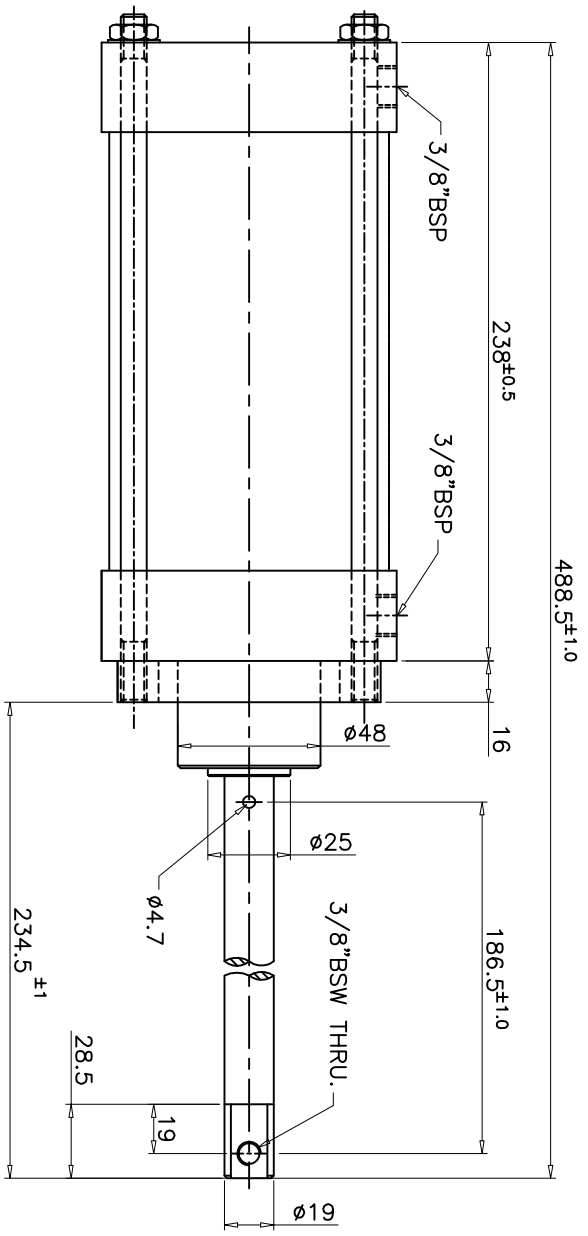


REVISIONS

SCHEDULES:

ALL DIMENSIONS ARE IN mm
DO NOT SCALE THE DRAWING

DRG.No.
DATA.ZRM/41021



TECHNICAL DATA

- 1. CYLINDER TYPE : DOUBLE ACTING NON CUSHIONED
- 2. BORE DIA : 100
- 3. PISTON ROD DIA : 25
- 4. STROKE : 114
- 5. OPERATING PRESSURE : 2 - 10 bar
- 6. OPERATING TEMP.MAX. : + 80°C
- 7. MOUNTINGS : FRONT FLANGE MTG. STYLE-G

REMOVE BURRS AND SHARP CORNERS

NUCON INDUSTRIES PRIVATE LIMITED

ASSEMBLY:

100mm BORE 114mm STROKE CAST IRON NON-CUSHIONED CYLINDER

SCALE: NTS TITLE:

DATA SHEET



DRAWN	D.SATISH	24.10.2006
CHECKED		
APPROVED		
DRG.No.	DATA.ZRM/41021	
SHEET	OF	