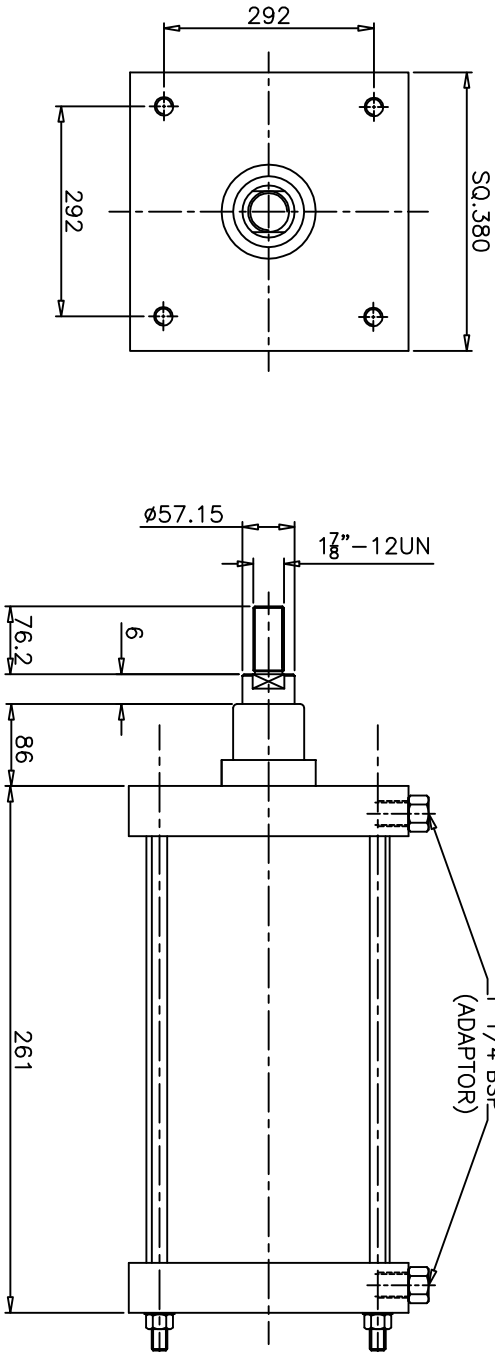


REVISIONS

SCHEDULES:

ALL DIMENSIONS ARE IN mm
DO NOT SCALE THE DRAWING

DRG.No.
DATA.ZRM/42002



TECHNICAL DATA

- 1. CYLINDER TYPE : DOUBLE ACTING NON CUSHIONED
- 2. CYL. BORE DIA : 14" (355.6mm)
- 3. STROKE : 90
- 4. PISTON ROD DIA : 57.15
- 5. WORKING PRESSURE : 2 - 10 bar
- 6. OPERATING TEMP.MAX. : +80 °C
- 7. MOUNTING : FRONT FLANGE MOUNTING-STYLE 'G'

REMOVE BURRS AND SHARP CORNERS

NUCON INDUSTRIES PRIVATE LIMITED

ASSEMBLY:

14" BORE 90mm STROKE SPECIAL CYLINDER

SCALE: NTS

DATA SHEET



DRAWN	D.SATISH	28.10.2006
CHECKED		
APPROVED		
DRG.No.	DATA.ZRM/42002	
SHEET	OF	