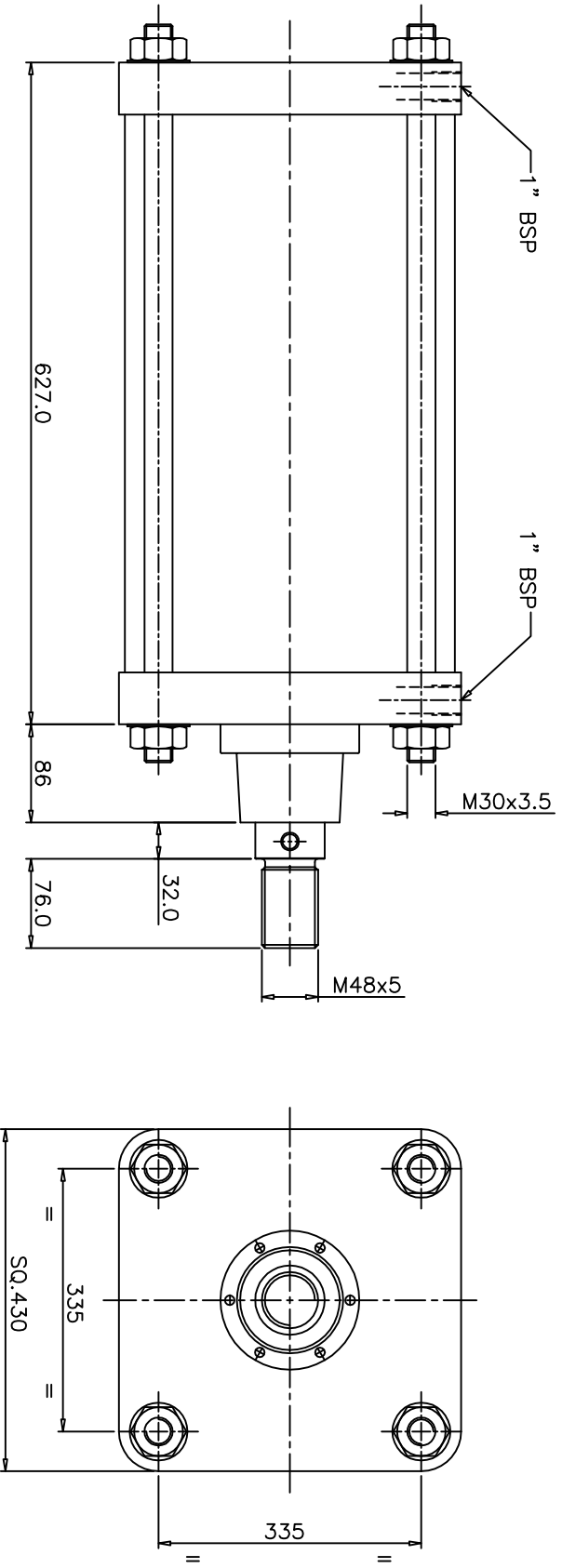


REVISIONS

SCHEDULES:

ALL DIMENSIONS ARE IN mm  
DO NOT SCALE THE DRAWING

DRG.No.  
DATA.ZRM/42003



TECHNICAL DATA

- 1. CYLINDER TYPE : DOUBLE ACTING NON CUSHIONED
- 2. BORE DIA : 16" NB
- 3. PISTON ROD DIA : 57.15
- 4. STROKE : 425
- 5. OPERATING PRESSURE : 2 - 10 bar
- 6. OPERATING TEMP.MAX. : + 80°C

REMOVE BURRS AND SHARP CORNERS

NUCON INDUSTRIES PRIVATE LIMITED

ASSEMBLY:

16" BORE 425mm STROKE SPECIAL CYLINDER

SCALE: NTS

TITLE:

DATA SHEET



DRAWN	D.SATISH	26.10.2006
CHECKED		
APPROVED		
DRG.No.	DATA.ZRM/42003	
SHEET	OF	