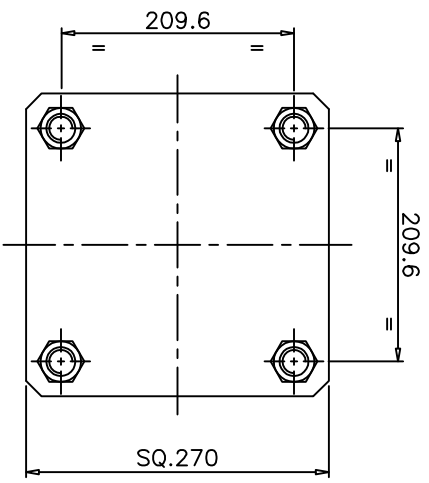
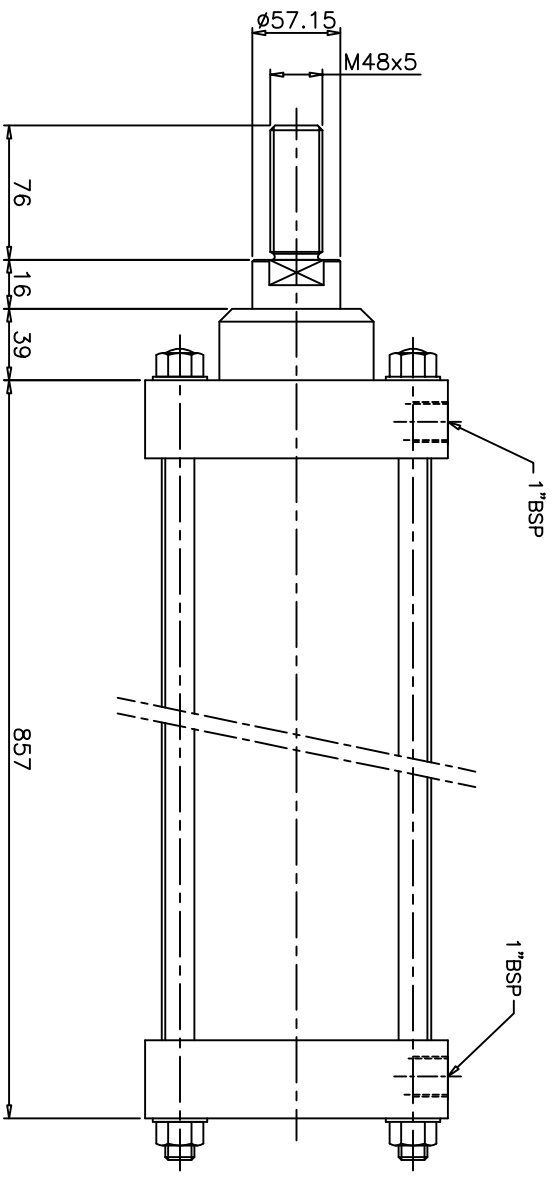


REVISIONS

SCHEDULES:

ALL DIMENSIONS ARE IN mm
DO NOT SCALE THE DRAWING

DRG.No.
DATA.ZRM/42004



TECHNICAL DATA

- 1. CYLINDER TYPE : DOUBLE ACTING NON CUSHIONED
- 2. BORE DIA : 10" (254.0)
- 3. PISTON ROD DIA : 57.15
- 4. STROKE : 635
- 5. OPERATING PRESSURE : 2 - 10 bar
- 6. OPERATING TEMP.MAX. : + 80°C

REMOVE BURRS AND SHARP CORNERS

NUCON INDUSTRIES PRIVATE LIMITED

ASSEMBLY:	10" BORE 635mm STROKE SPECIAL CYLINDER
SCALE: NTS	TITLE:
	DATA SHEET

DRAWN	D.SATISH	28.10.2006
CHECKED		
APPROVED		
DRG.No.	DATA.ZRM/42004	
SHEET	OF	