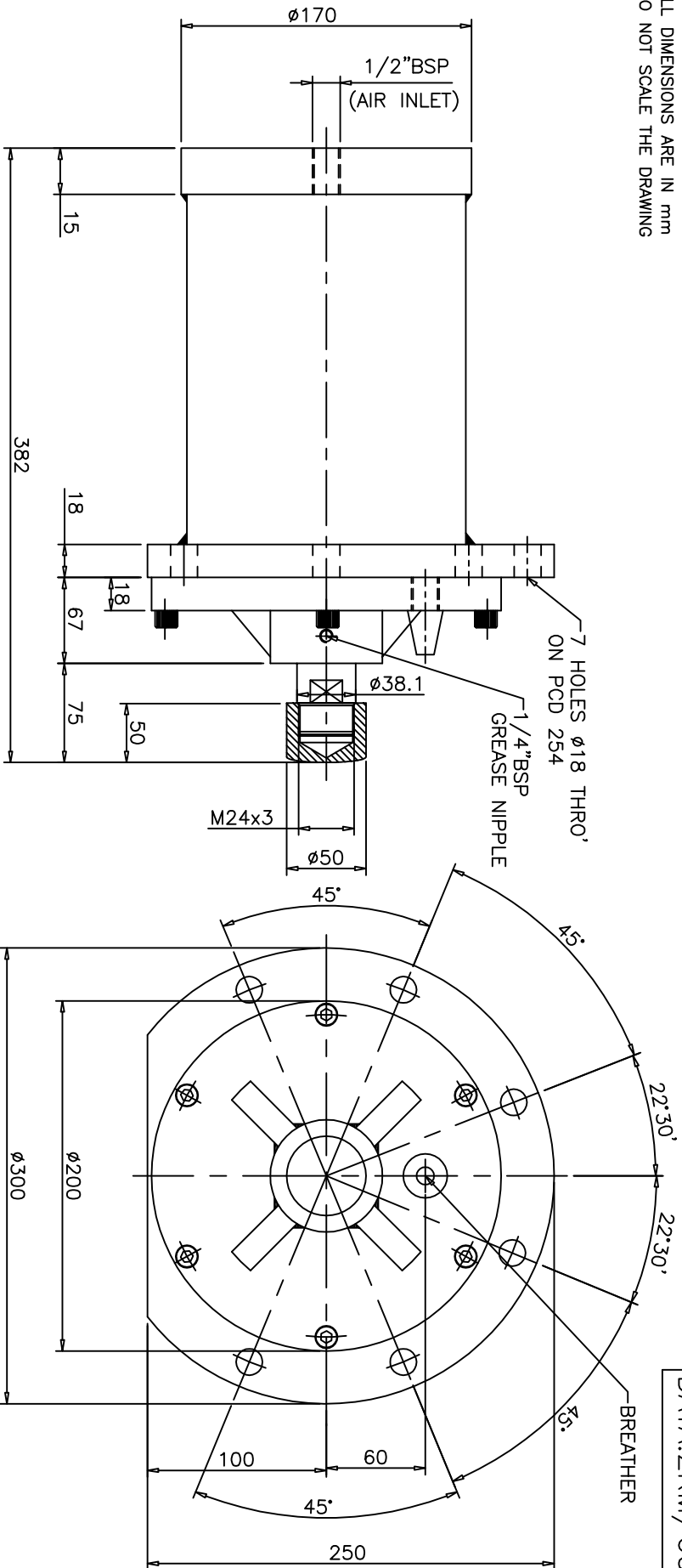


REVISIONS

SCHEDULES:

ALL DIMENSIONS ARE IN mm
DO NOT SCALE THE DRAWING

DRG.No.
DATA.ZRM/60002



TECHNICAL DATA

1. CYLINDER TYPE : SINGLE ACTING NON CUSHIONED (STEEL BARREL)
2. BORE DIA : 150
3. PISTON ROD DIA : 38.1(EN-8 WITH HARD CHROME PLATED)
4. STROKE : 175
5. OPERATING PRESSURE : 2-10kg/cm²
6. WORKING PRESSURE : 5kg/cm²
7. OPERATING TEMP.MAX. : + 150 °C
8. SEALS : VITON
9. MOUNTING : FRONT FLANGE MTG.(SPL)

NUCON INDUSTRIES PRIVATE LIMITED

REMOVE BURRS AND SHARP CORNERS

ASSEMBLY:

150mm BORE 175mm STROKE WELDED
CONSTRUCTION NON CUSHIONED CYLINDER

SCALE: NTS

TITLE:

DATA SHEET



DRAWN	D.SATISH	20.12.2006
CHECKED		
APPROVED		
DRG.No.	DATA.ZRM/60002	
SHEET	OF	