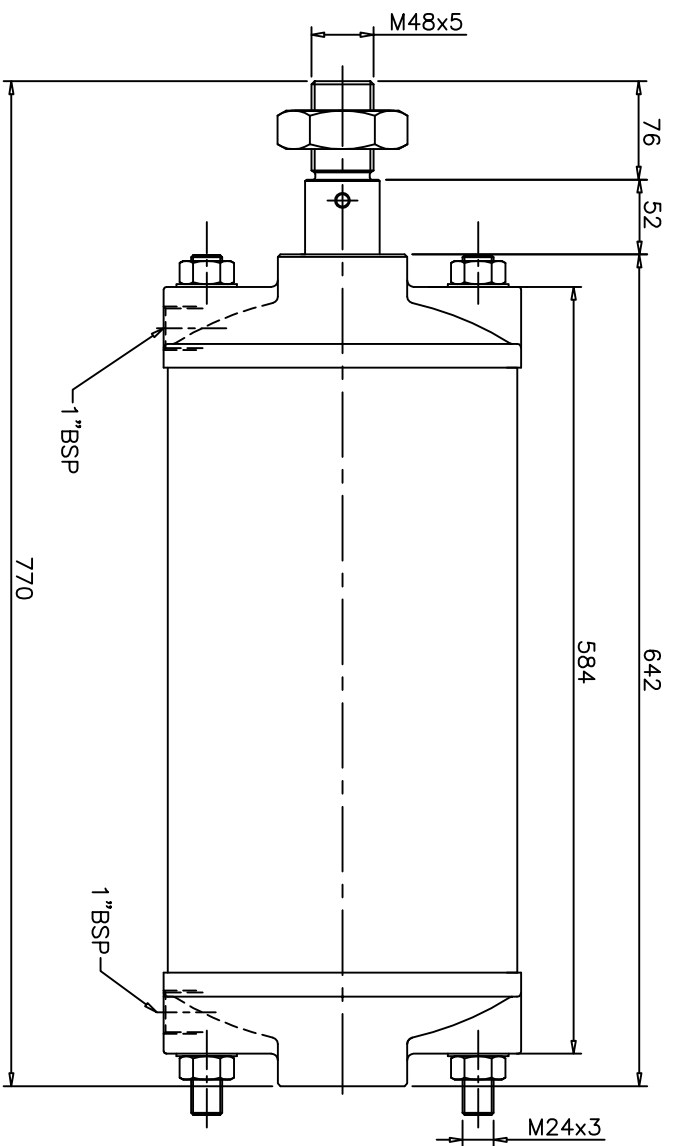
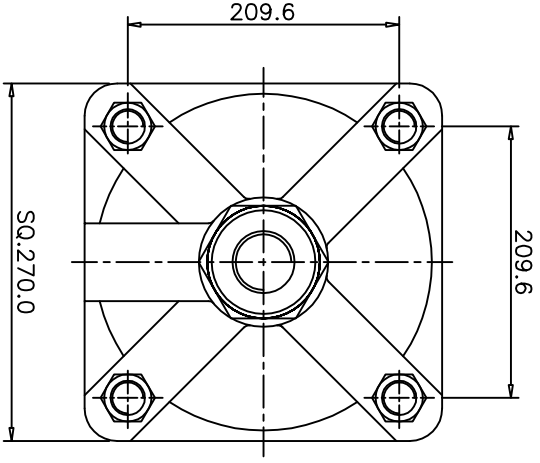


REVISIONS

SCHEDULES:

ALL DIMENSIONS ARE IN mm
DO NOT SCALE THE DRAWING

DRG.No.
DATA.ZRM/70002



TECHNICAL DATA

- 1. TYPE : DOUBLE ACTING FIXED CUSHIONED CYLINDER
- 2. BORE DIA : 254.0 (10")
- 3. PISTON ROD DIA : 57.15
- 4. STROKE : 362
- 5. WORKING PRESSURE : 2-10 bar
- 6. OPERATING TEMP.MAX. : + 80°C

REMOVE BURRS AND SHARP CORNERS

NUCON INDUSTRIES PRIVATE LIMITED

ASSEMBLY: DRAWN T.Prabhakar 13.09.2008

SCALE: NTS TITLE: DATA SHEET CHECKED APPROVED

DRG.No. DATA.ZRM/70002 SHEET OF