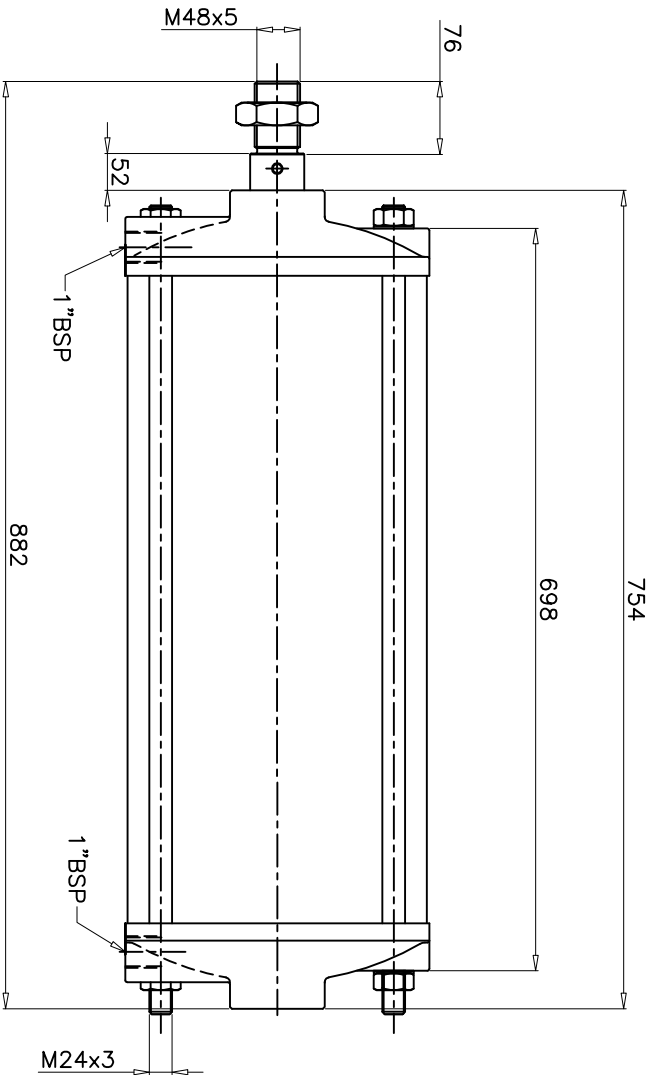
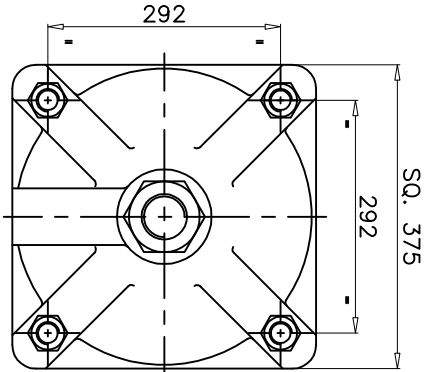


REVISIONS

SCHEDULES:

ALL DIMENSIONS ARE IN mm
DO NOT SCALE THE DRAWING

DRG.No.
DATA.ZRM/70005



TECHNICAL DATA

- 1. TYPE : DOUBLE ACTING FIXED CUSHIONED CYLINDER
- 2. BORE DIA : 355.6 (14")
- 3. PISTON ROD DIA : 57.15
- 4. STROKE : 515
- 5. WORKING PRESSURE : 2-10 bar
- 6. OPERATING TEMP.MAX. : + 80°C

NUCON INDUSTRIES PRIVATE LIMITED

ASSEMBLY:

SCALE:NTS	TITLE:	DRAWN	T.Probhoakar	13.09.2008
	AIR CYLINDER	CHECKED		
		APPROVED		
		DRG.No.		
		DATA.ZRM/70005		
		SHEET		OF