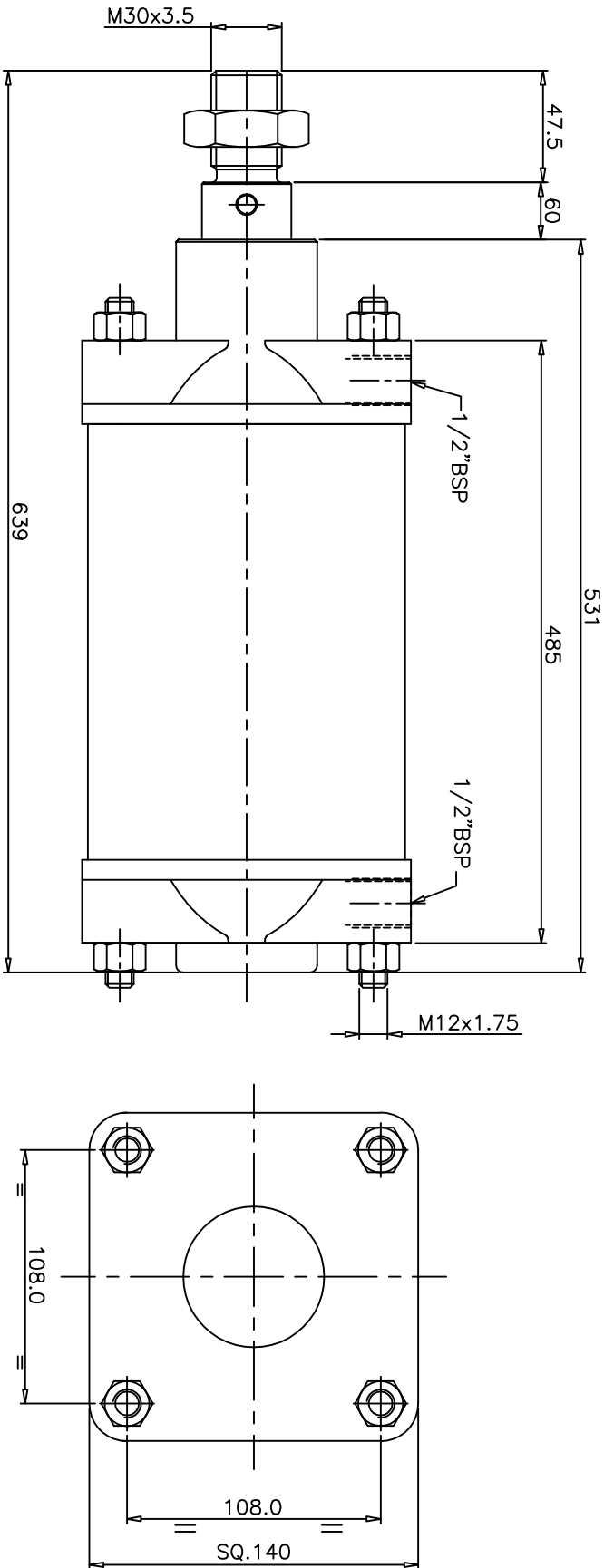


REVISIONS

SCHEDULES:

ALL DIMENSIONS ARE IN mm
DO NOT SCALE THE DRAWING

DRG.No.
DATA.ZRM/70006



TECHNICAL DATA

- 1. TYPE : DOUBLE ACTING FIXED CUSHIONED CYLINDER
- 2. BORE DIA : 125
- 3. PISTON ROD DIA : 38.1
- 4. STROKE : 350
- 5. WORKING PRESSURE : 2-10 Kg/cm²
- 6. OPERATING TEMP. MAX. : + 80°C

NUCON INDUSTRIES PRIVATE LIMITED

ASSEMBLY:

SCALE:NTS TITLE:

DATA SHEET



| | | |
|----------|----------------|------------|
| DRAWN | T.Pradhakar | 16.09.2008 |
| CHECKED | | |
| APPROVED | | |
| DRG.No. | DATA.ZRM/70006 | |
| SHEET | OF | |