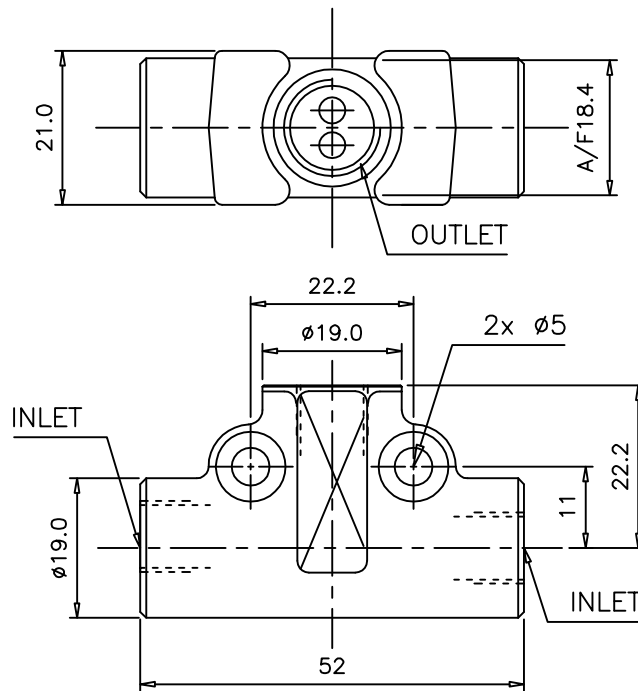
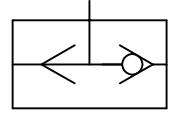


SHUTTLE VALVE

Medium	: Compressed air, filtered, lubricated & non lubricated
Mounting	: Through-holes in valve body
Port Sizes	: G1/4
Operating Pressure	: 2 to 10 bar
Operating Temperature	: +5°C to +80°C



ALL DIMENSIONS ARE IN mm

NUCON INDUSTRIES PRIVATE LIMITED88 , C.I.E , BALANAGAR ,
HYDERABAD - 500 037

DRAWN	D.SATISH	10.05.2006
CHECKED		
APPROVED		