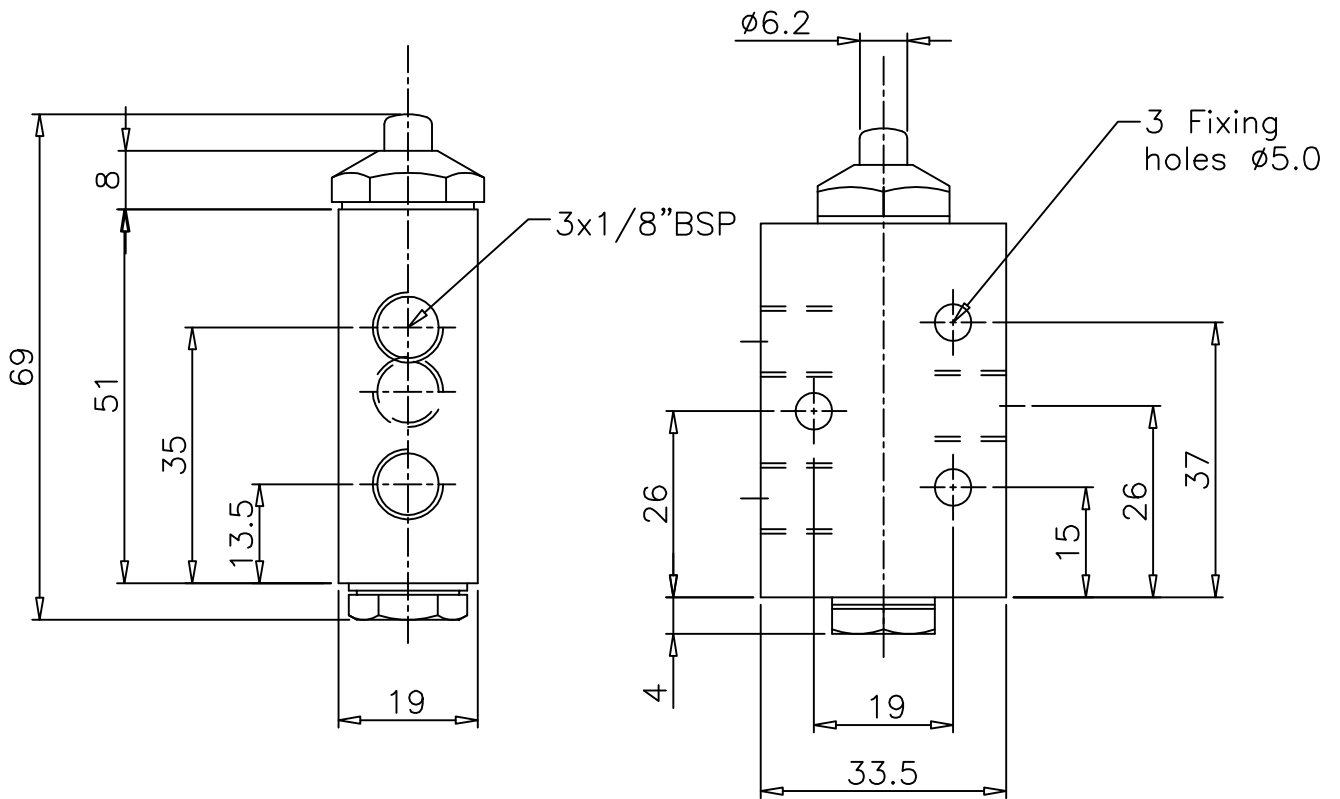
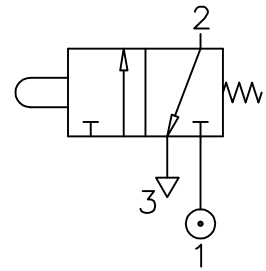


# Plunger actuated, Spring return

# ZS/666/14

Type : 3/2 Normally closed  
Port Size : 1/8" BSP  
Operating Pressure : 2 - 10 bar  
Operating Temperature : +80°C max.



ALL DIMENSIONS ARE IN mm

NUCON INDUSTRIES PRIVATE LIMITED  
88 , C.I.E , BALANAGAR ,  
HYDERABAD - 500 037

DRAWN	T.Prabhakar	19.11.2007
CHECKED		
APPROVED		