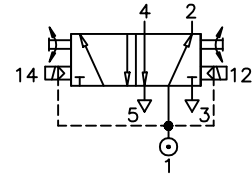


DOUBLE SOLENOID OPERATED, SET RESET

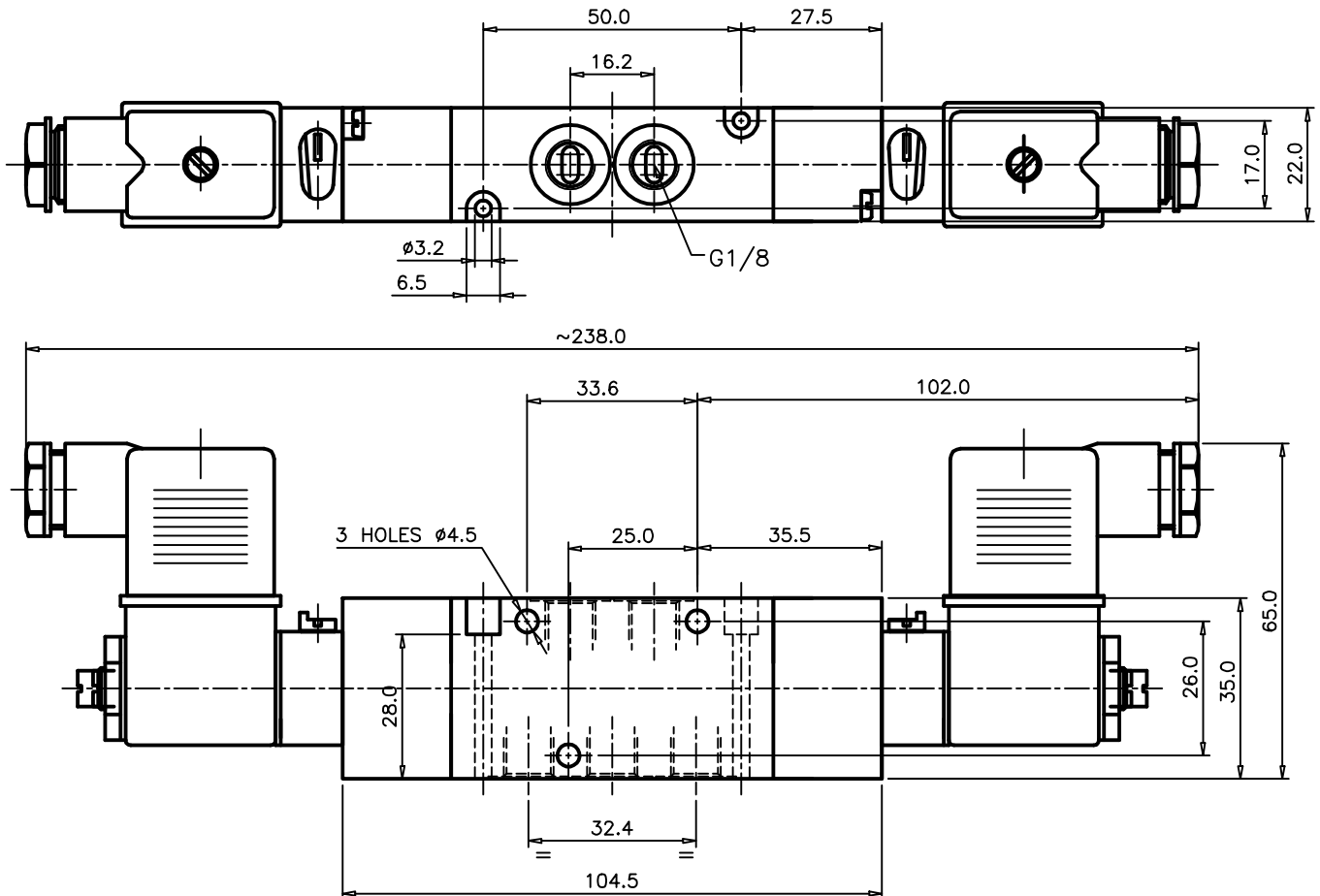
ZV60A511A-AX***

Type : 5/2 INLINE Valve
Solenoid operated
Port Size : G 1/8
Operating Pressure : 2-10 bar
Operating Temperature : -10°C to +50°C



ELECTRICAL

*** Coil Voltage** : 220-240 VAC ; 50-60Hz (Code : 137)
 : 110-120 VAC ; 50-60Hz (Code : 131)
 : 24 VDC (Code : 10)
Insulation : Class 'H'
Protection Class : IP 65
Terminal Box : 3 Pin plug to IP 65
Response Time : On 10 ms , Off 10 ms



ALL DIMENSIONS ARE IN mm