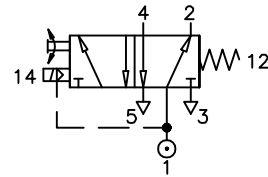


SOLENOID OPERATED , SPRING RETURN

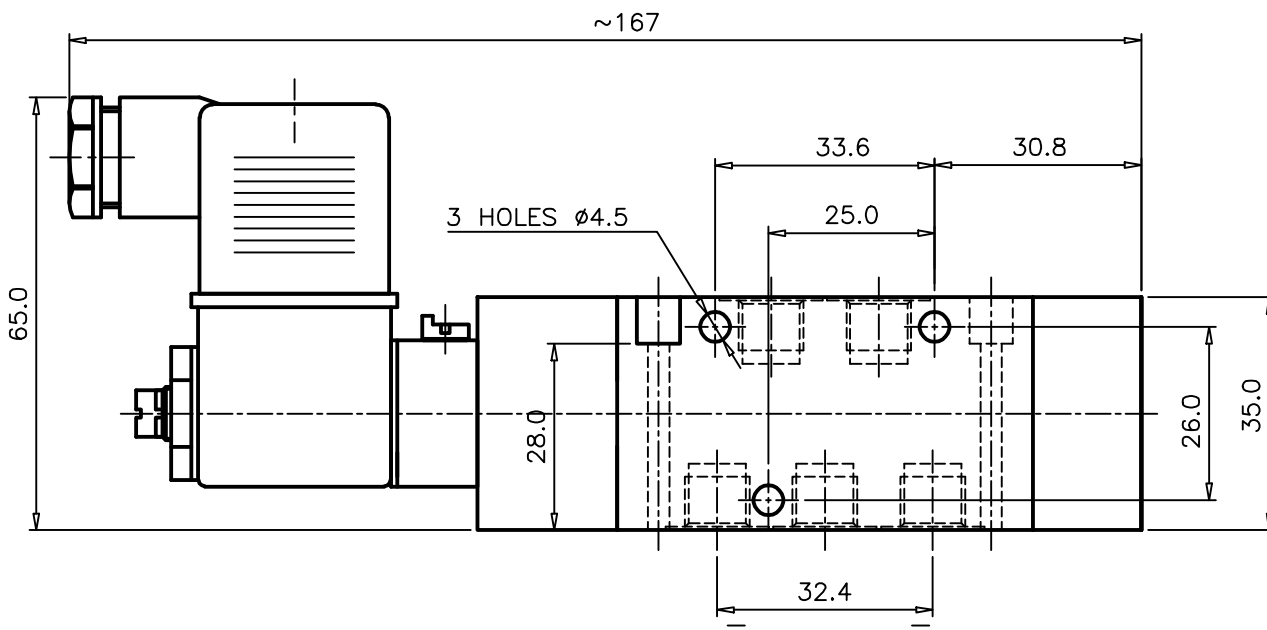
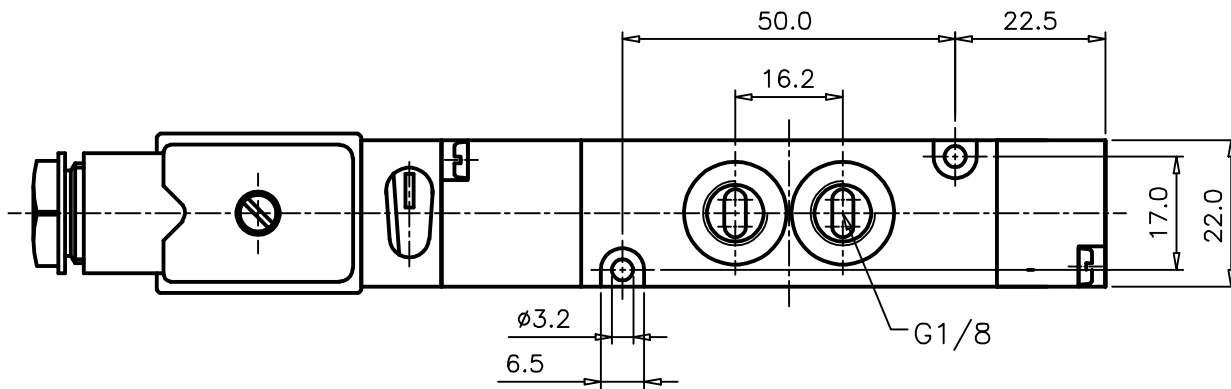
ZV60A513A-AX***

Type : 5/2 INLINE Valve
 Solenoid operated
 Port Size : G 1/8
 Operating Pressure : 2-10 bar
 Operating Temperature : -10°C to +50°C



ELECTRICAL

* Coil Voltage : 220-240 VAC ; 50-60Hz (Code : 137)
 : 110-120 VAC ; 50-60Hz (Code : 131)
 : 24 VDC (Code : 10)
 Insulation : Class 'H'
 Protection Class : IP 65
 Terminal Box : 3 Pin plug to IP 65
 Response Time : On 10 ms , Off 10 ms



ALL DIMENSIONS ARE IN mm

NUCON INDUSTRIES PRIVATE LIMITED
 88 , C.I.E , BALANAGAR ,
 HYDERABAD - 500 037

DRAWN	T.Prabhakar	16.02.2008
CHECKED		
APPROVED		