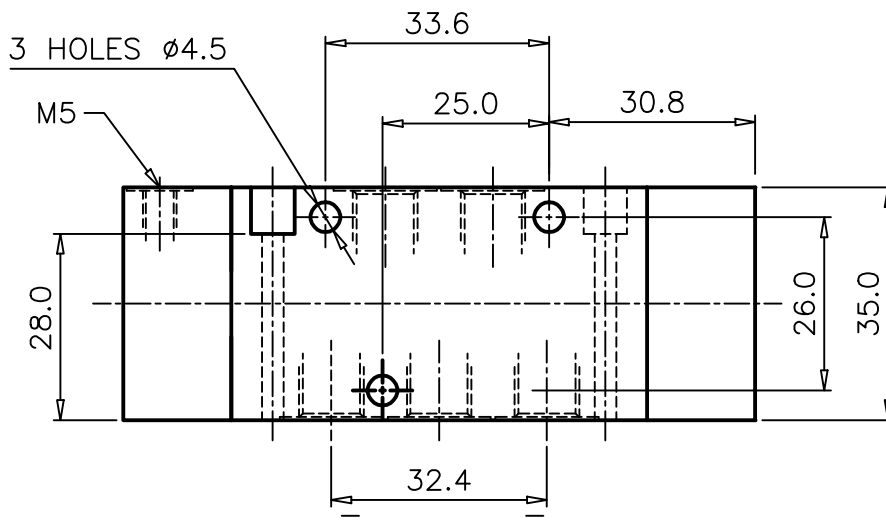
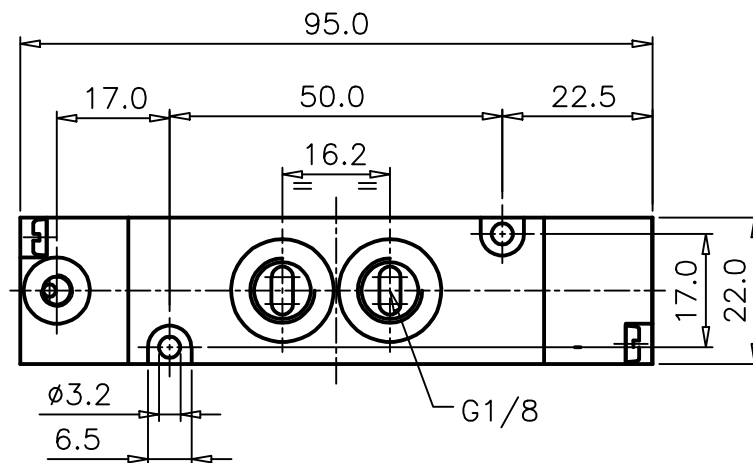
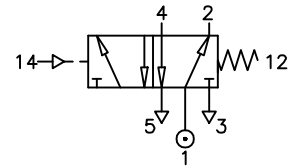


PILOT ACTAATED , SPRING RETURN

ZV60A5D7A-X5090

Type : 5/2 INLINE Valve
Pressure actuated
Port Size : G 1/8
Operating Pressure : 0-10 bar
Operating Temperature : -10°C to +70°C
Pilot Pressure : 2.5 - 10 bar



ALL DIMENSIONS ARE IN mm