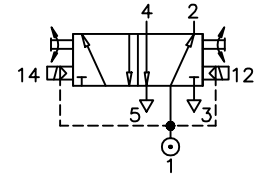


# SOLENOID OPERATED, SET RESET

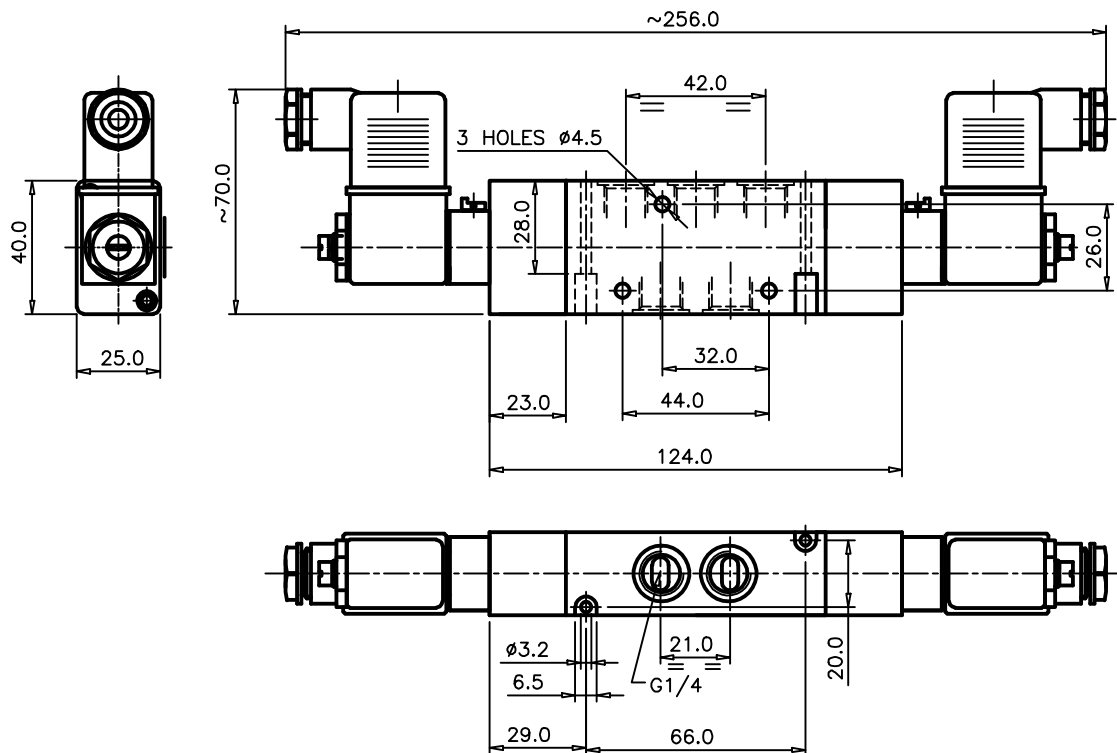
## ZV61B511A-AX\*\*\*

**Type** : 5/2INLINE Valve  
**Solenoid operated**  
**Port Size** : G 1/4  
**Operating Pressure** : 2-10 bar  
**Operating Temperature** : -10°C to +50°C



### ELECTRICAL

**\* Coil Voltage** : 220-240 VAC ; 50-60Hz (Code : 137)  
 : 110-120 VAC ; 50-60Hz (Code : 131)  
 : 24 VDC (Code : 10)  
**Insulation** : Class 'H'  
**Protection Class** : IP 65  
**Terminal Box** : 3 Pin plug to IP 65  
**Response Time** : On 10 ms , Off 10 ms



ALL DIMENSIONS ARE IN mm