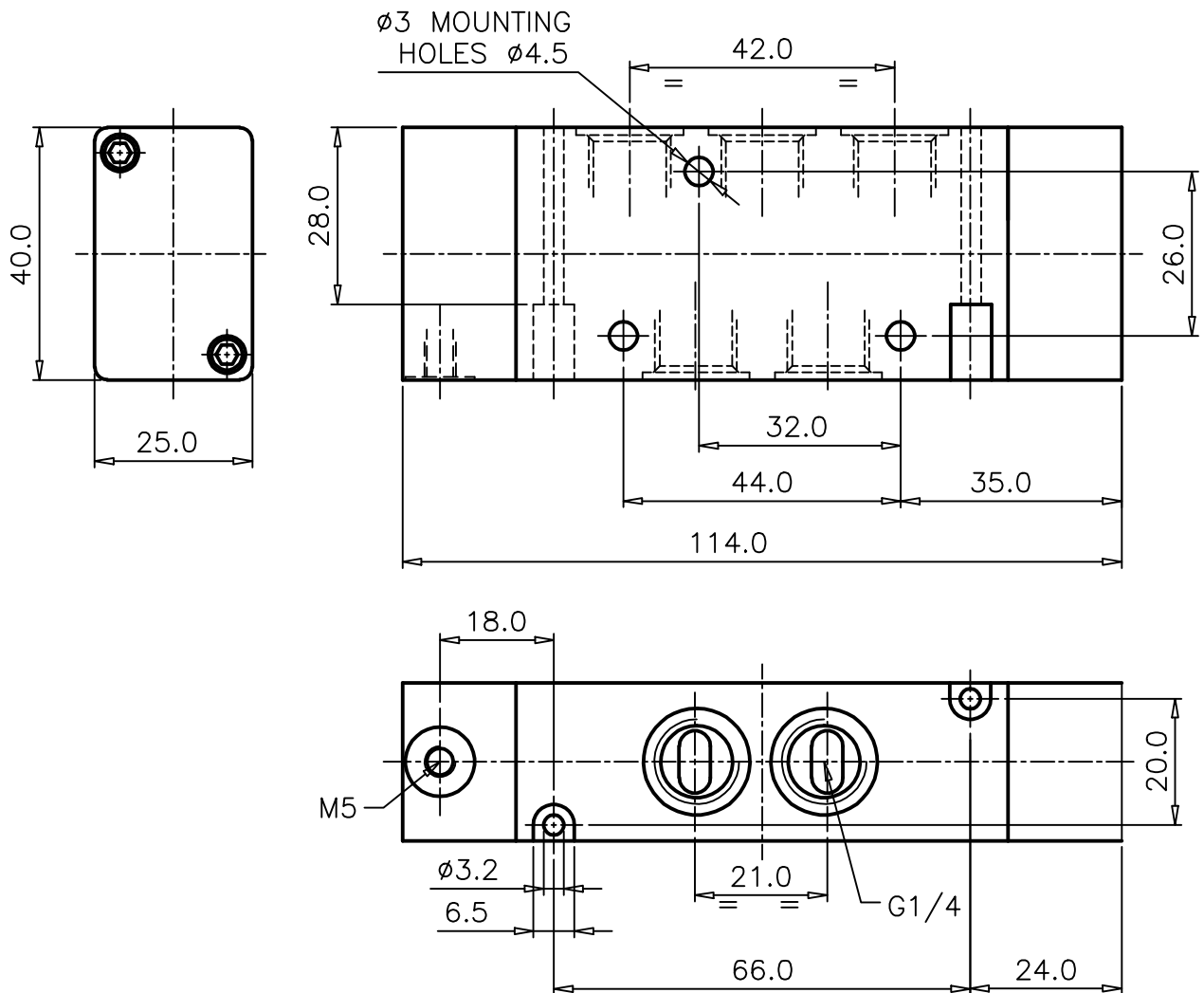
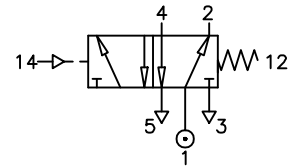


PILOT ACTAATED , SPRING RETURN

ZV61B5D7A-X5090

Type : 5/2 INLINE Valve
Pressure actuated
Port Size : G 1/4
Operating Pressure : 0-10 bar
Operating Temperature : -10°C to +70°C
Pilot Pressure : 2.5 - 10 bar



ALL DIMENSIONS ARE IN mm