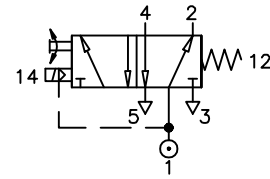


SOLENOID OPERATED , SPRING RETURN

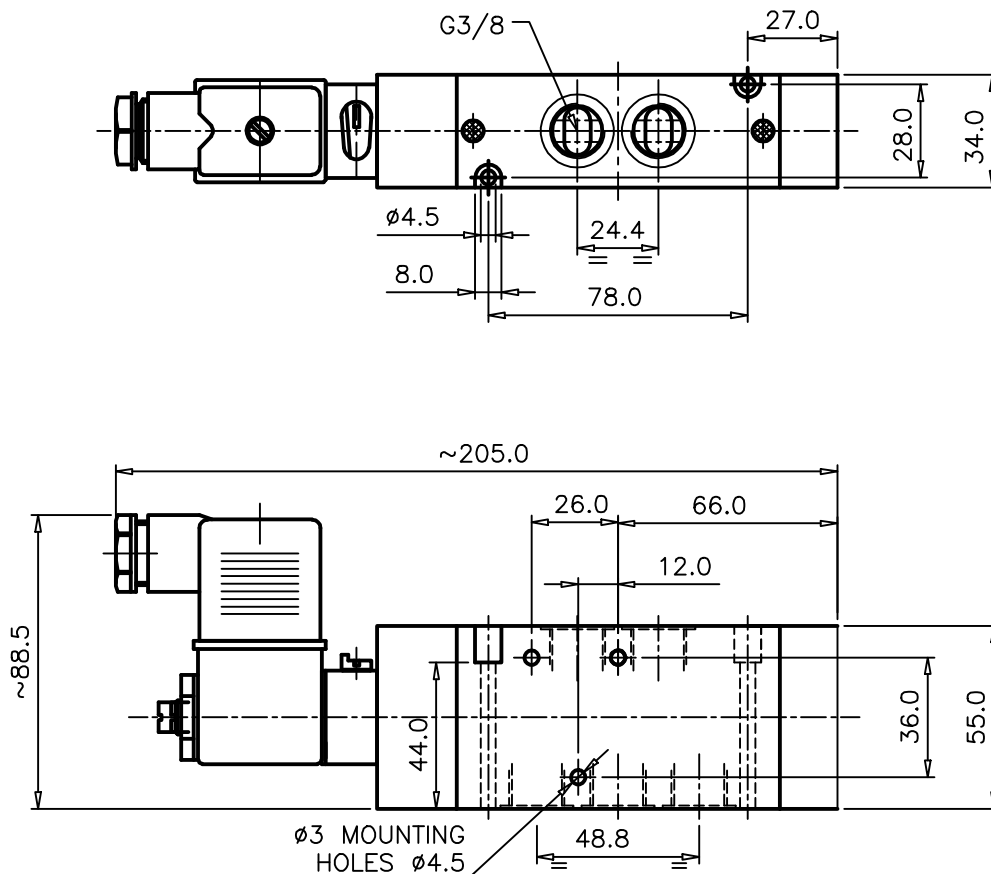
ZV62C513A-AX***

Type : 5/2 INLINE Valve
Solenoid operated
Port Size : G 3/8
Operating Pressure : 2-10 bar
Operating Temperature : -10°C to +50°C



ELECTRICAL

* Coil Voltage : 220-240 VAC ; 50-60Hz (Code : 137)
: 110-120 VAC ; 50-60Hz (Code : 131)
: 24 VDC (Code : 10)
Insulation : Class 'H'
Protection Class : IP 65
Terminal Box : 3 Pin plug to IP 65
Response Time : On 10 ms , Off 10 ms



ALL DIMENSIONS ARE IN mm