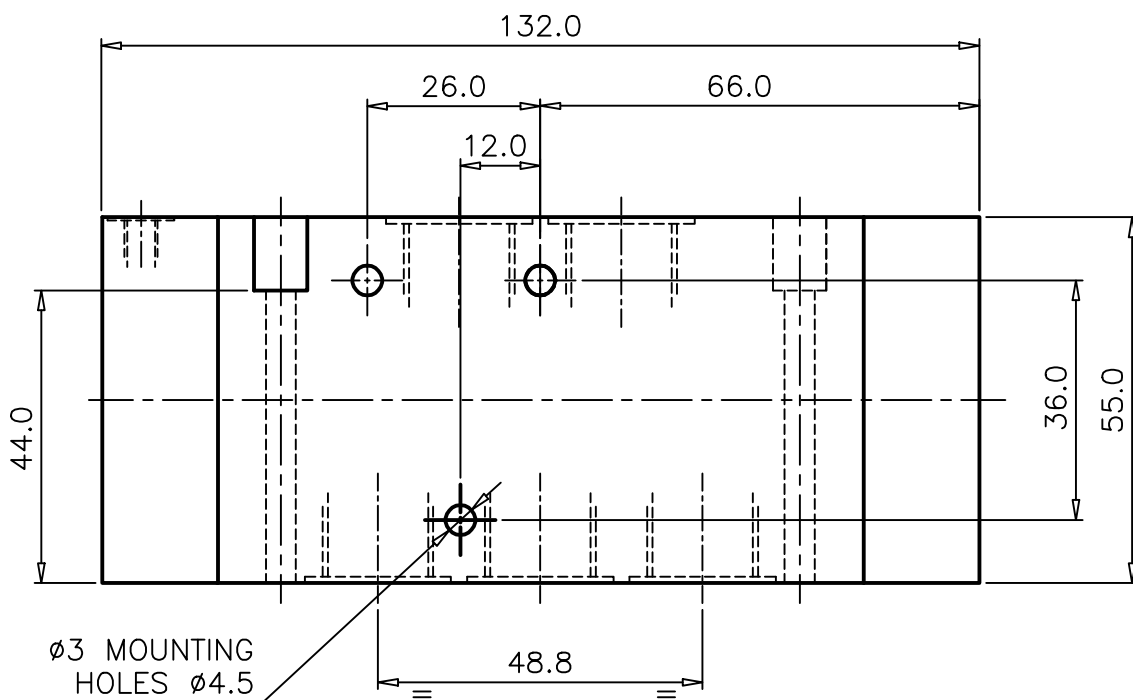
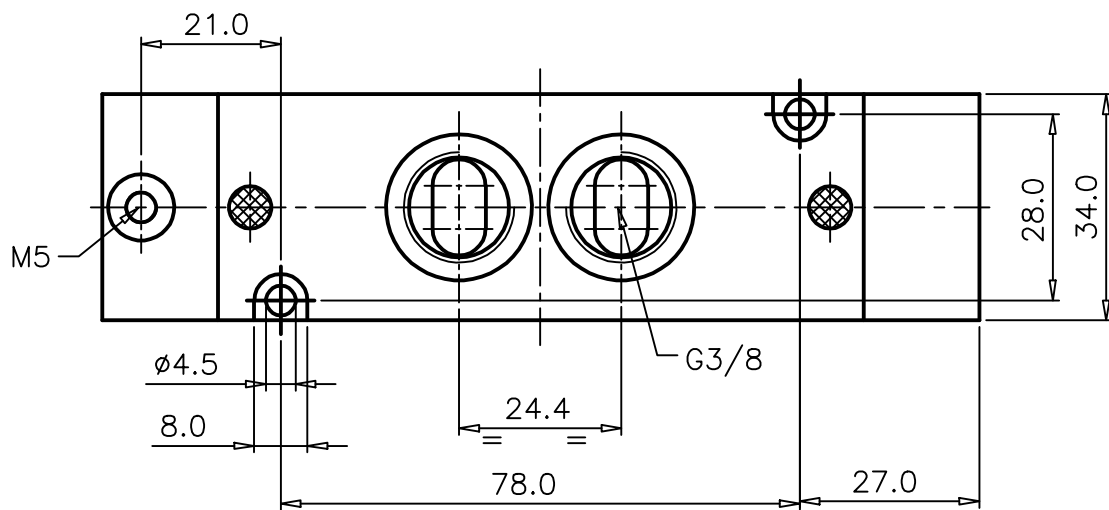
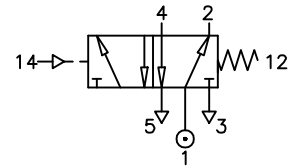


PILOT ACTAATED , SPRING RETURN

ZV62C5D7A-X5090

Type : 5/2 INLINE Valve
Pressure actuated
Port Size : G 3/8
Operating Pressure : 0-10 bar
Operating Temperature : -10°C to +70°C
Pilot Pressure : 2.5 - 10 bar



ALL DIMENSIONS ARE IN mm

NUCON INDUSTRIES PRIVATE LIMITED
 88 , C.I.E , BALANAGAR ,
 HYDERABAD - 500 037

DRAWN	T.Prabhakar	16.02.2008
CHECKED		
APPROVED		