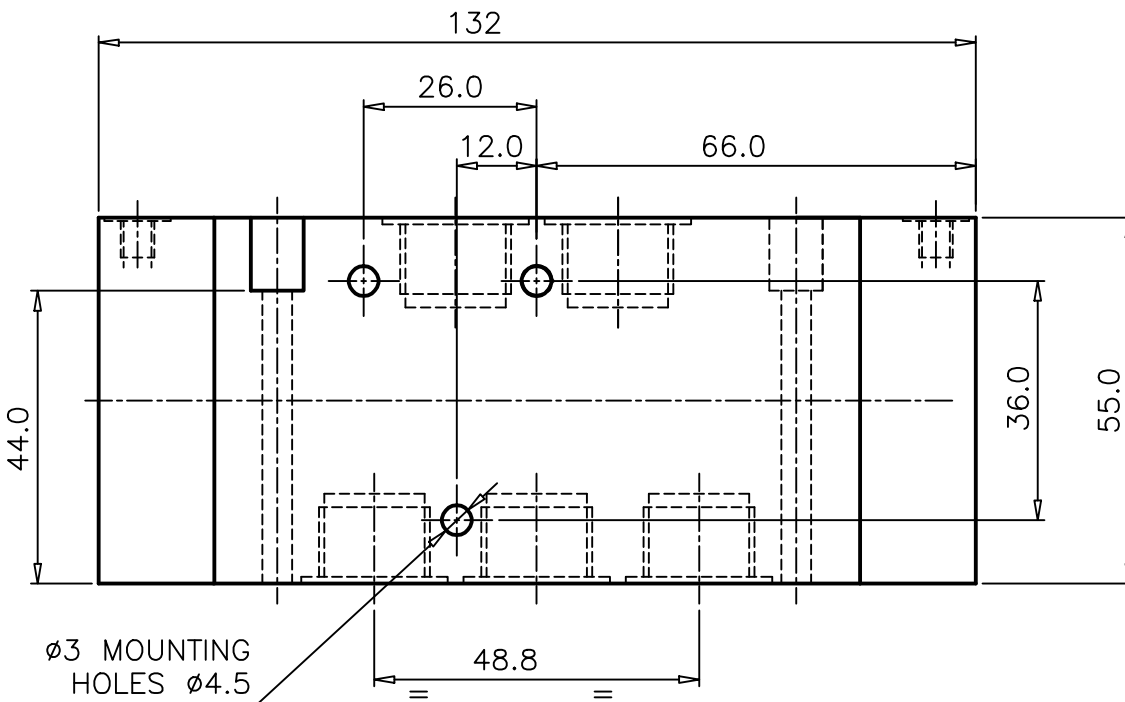
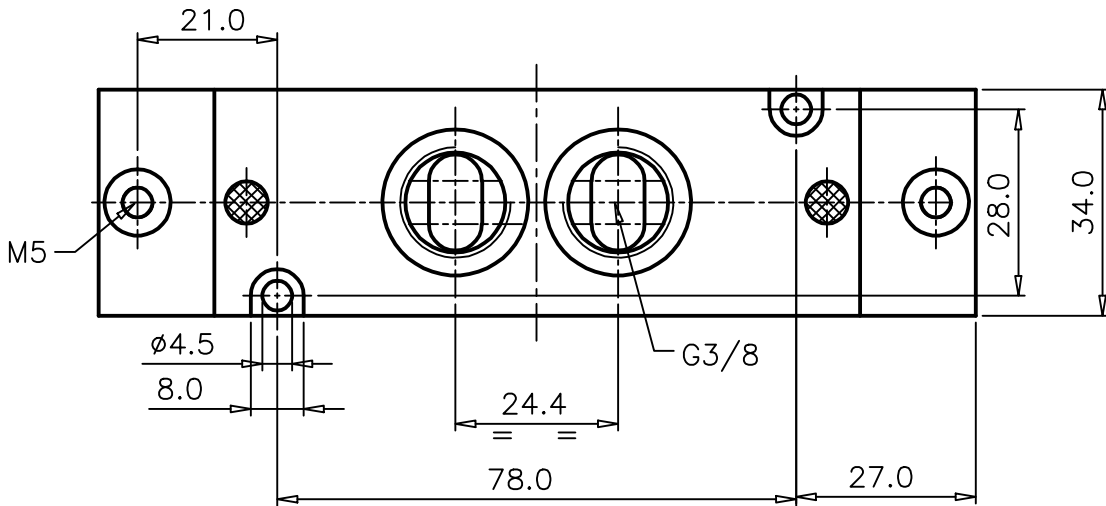
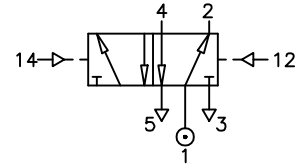


DOUBLE PILOT ACTUATED, SET RESET

ZV62C5DDA-X5020

Type : 5/2 INLINE Valve
Pressure actuated
Port Size : G 3/8
Operating Pressure : 0-10 bar
Operating Temperature : -10°C to +70°C
Pilot Pressure : 1.5-10 bar



ALL DIMENSIONS ARE IN mm