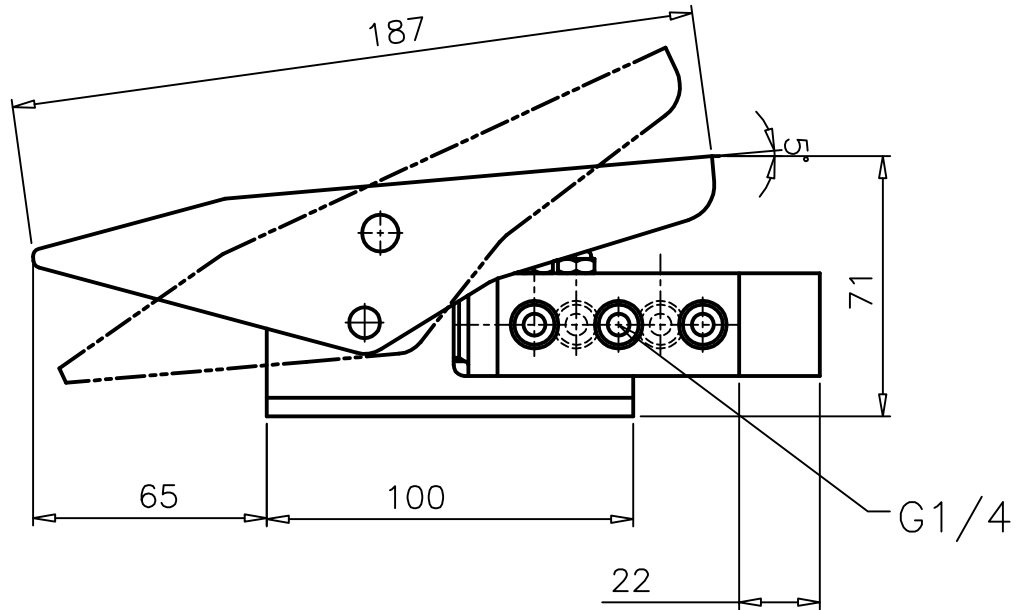
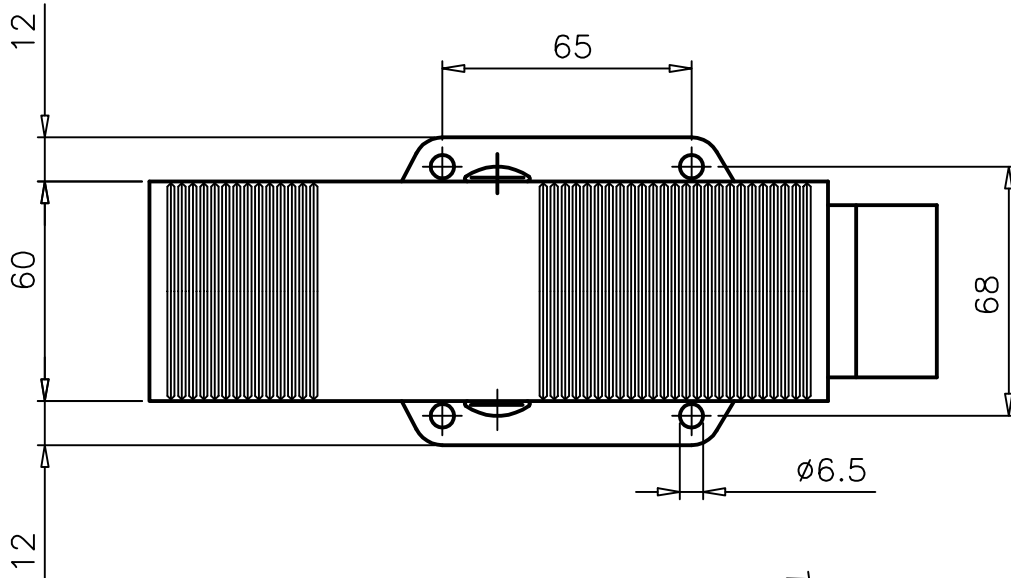
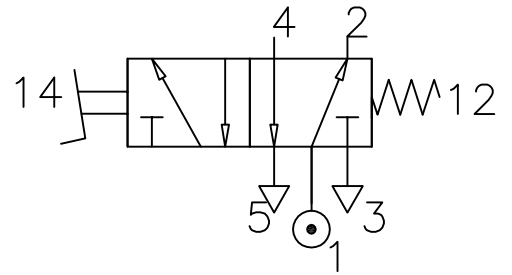


# PEDAL OPERATED, SPRING RETURN

## ZX3 0682 02

Type : 5/2 Spool Valve  
 Manually operated  
 Port Size : G 1/4  
 Operating Pressure : 2-10 bar  
 Operating Temperature : +5°C to +70°C



ALL DIMENSIONS ARE IN mm

NUCON INDUSTRIES PRIVATE LIMITED  
 88 , C.I.E , BALANAGAR ,  
 HYDERABAD - 500 037

DRAWN	SREENIVAS.M	17.03.2005
CHECKED		
APPROVED		