

# TREADLE SET-RESET

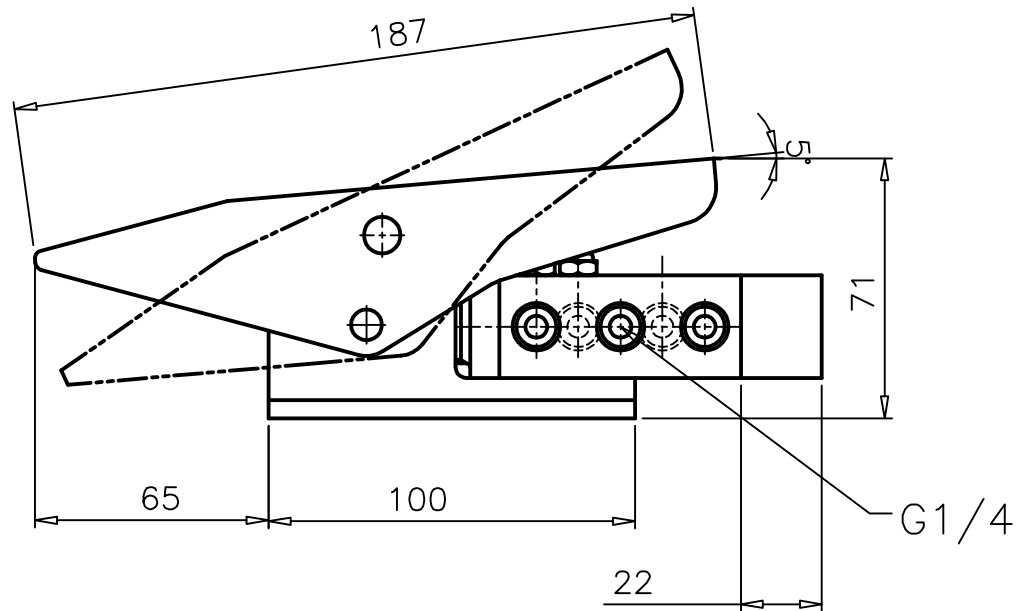
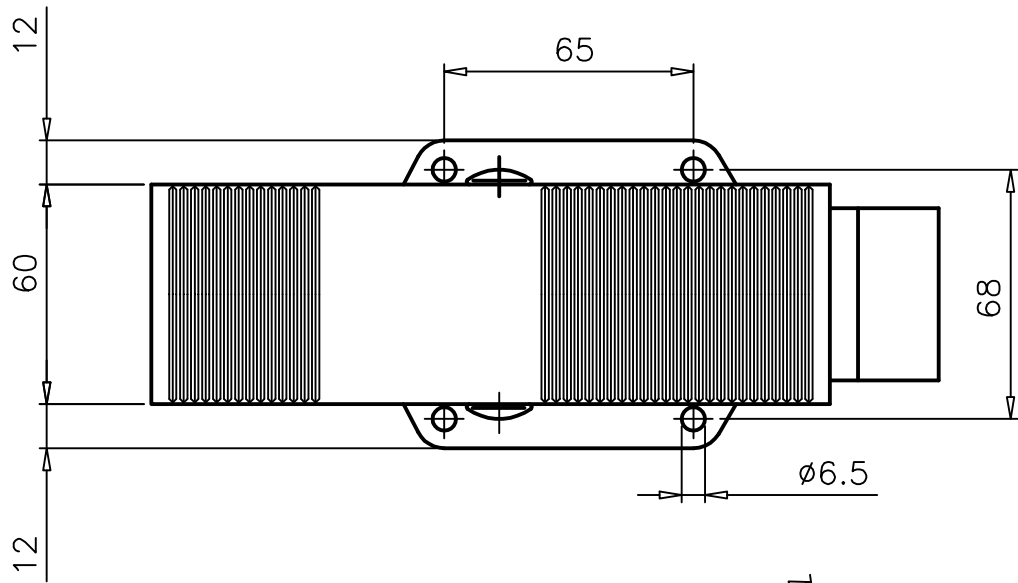
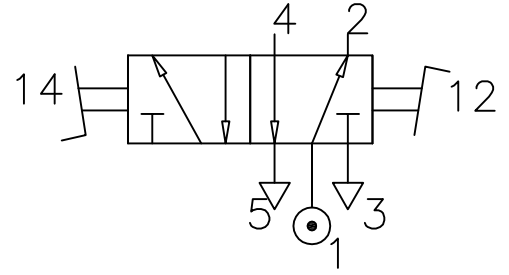
## ZX3 0684 02

Type : 5/2 Spool Valve  
 Manually operated

Port Size : G 1/4

Operating Pressure : 2-10 bar

Operating Temperature : +5°C to +70°C



ALL DIMENSIONS ARE IN mm

NUCON INDUSTRIES PRIVATE LIMITED  
 88 , C.I.E , BALANAGAR ,  
 HYDERABAD - 500 037

DRAWN	SREENIVAS.M	09.05.2005
CHECKED		
APPROVED		