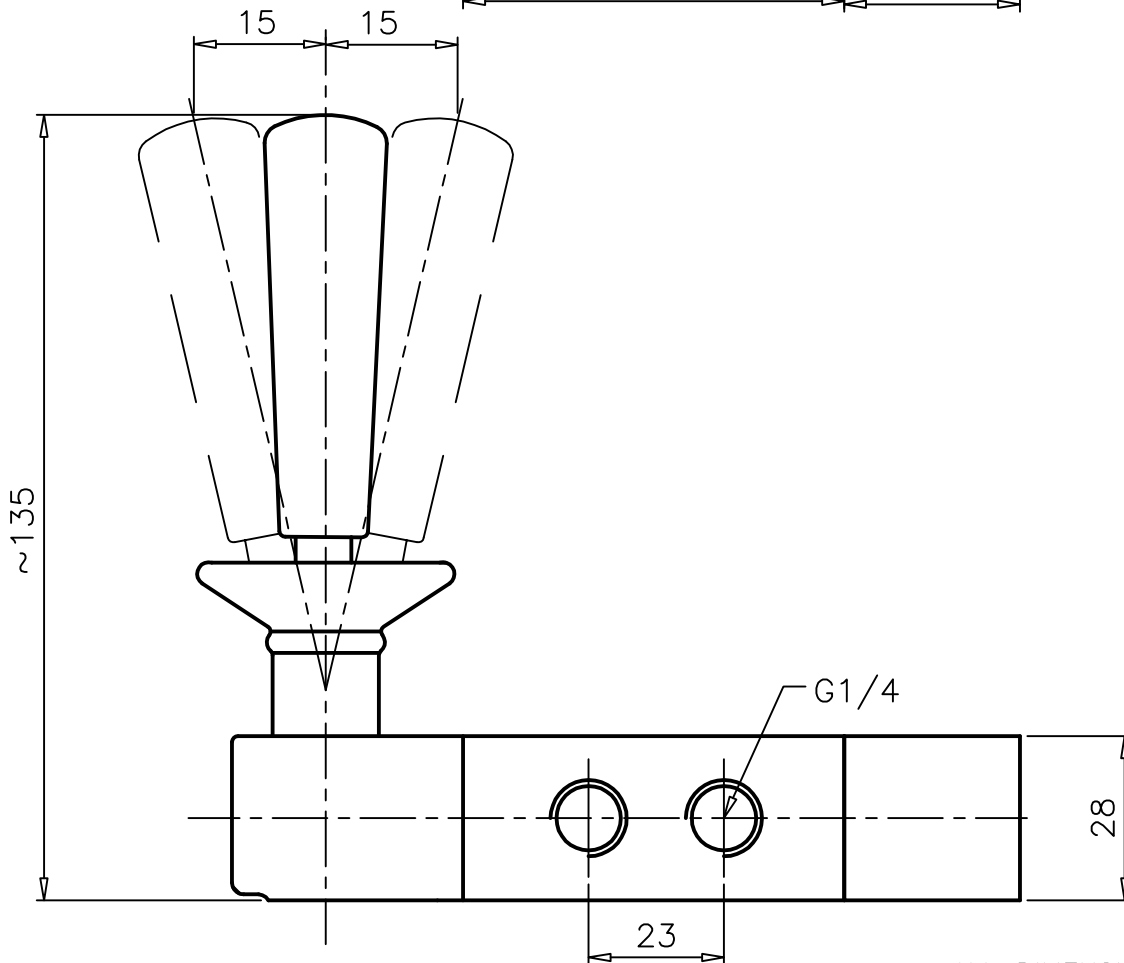
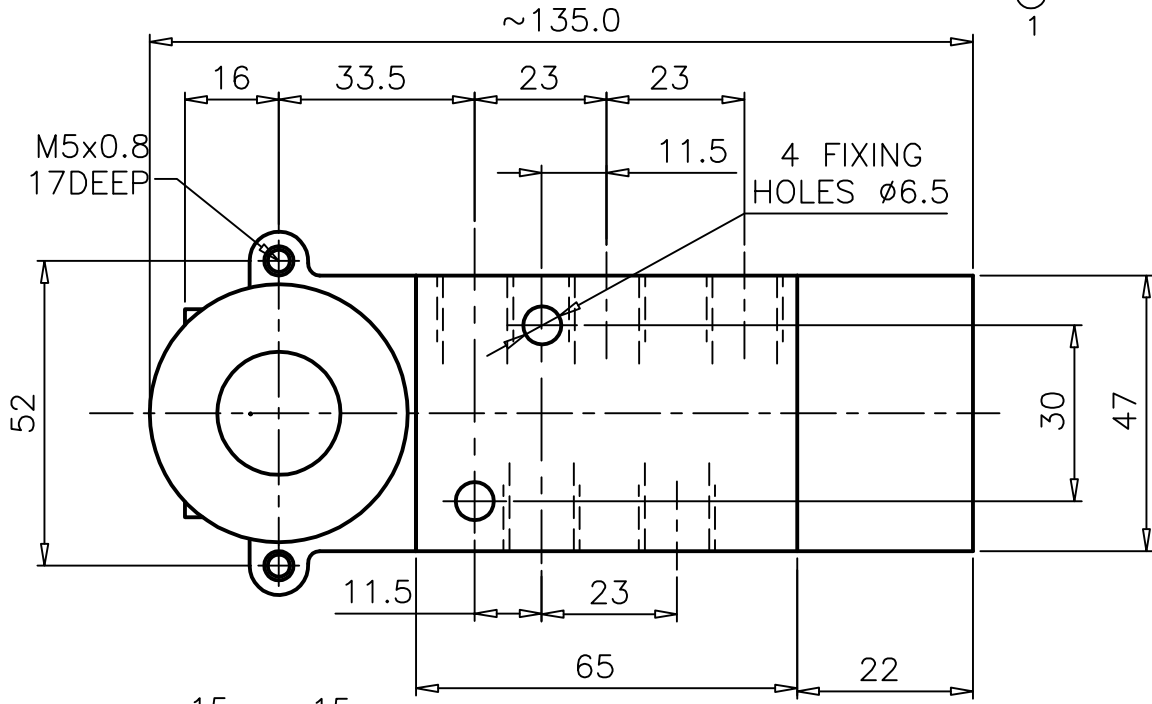
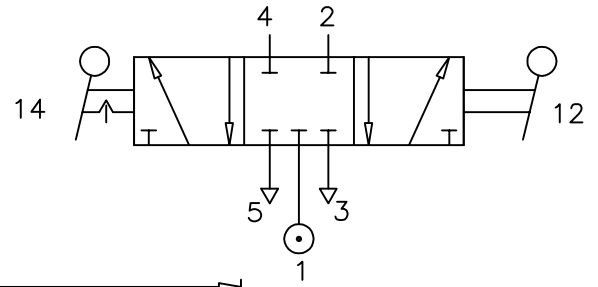


THREE POSITION LEVER OPERATED

ZX3 3637 02

Type : 5/3 Fully sealed
 Mid-position
 Port Size : G 1/4
 Operating Pressure : 2-10 bar
 Operating Temperature : +5°C to +70°C



ALL DIMENSIONS ARE IN mm

NUCON INDUSTRIES PRIVATE LIMITED
 88 , C.I.E , BALANAGAR ,
 HYDERABAD - 500 037

DRAWN	SREENIVAS.M	09.05.2005
CHECKED		
APPROVED		