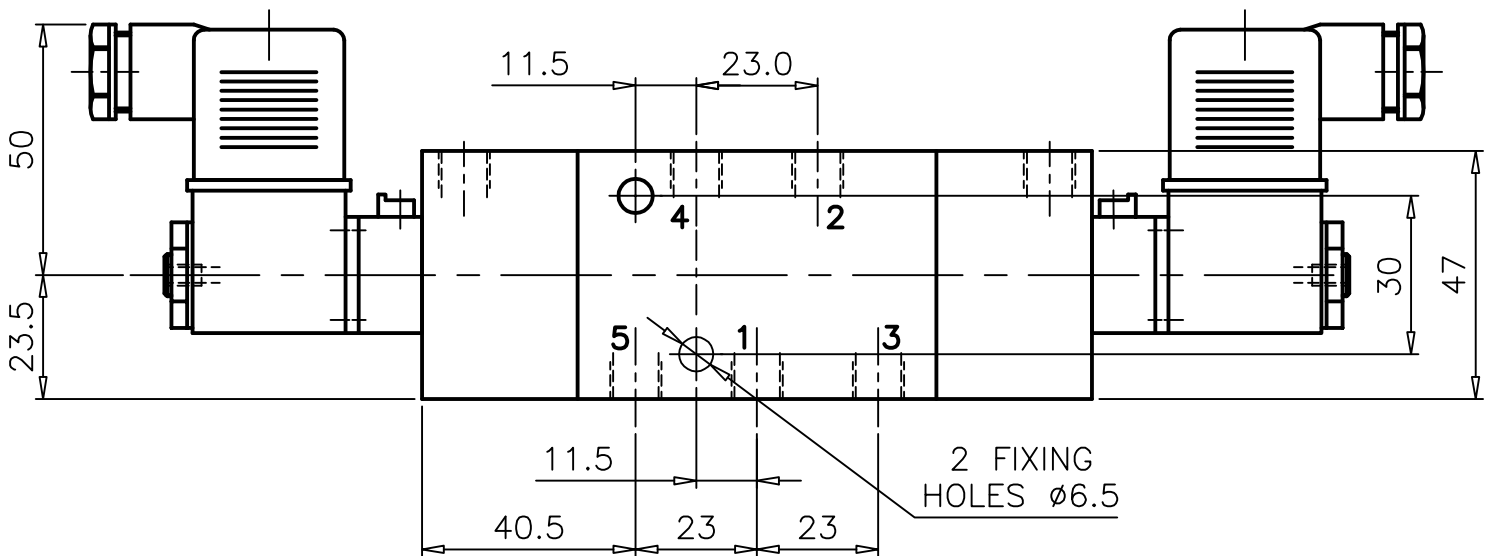
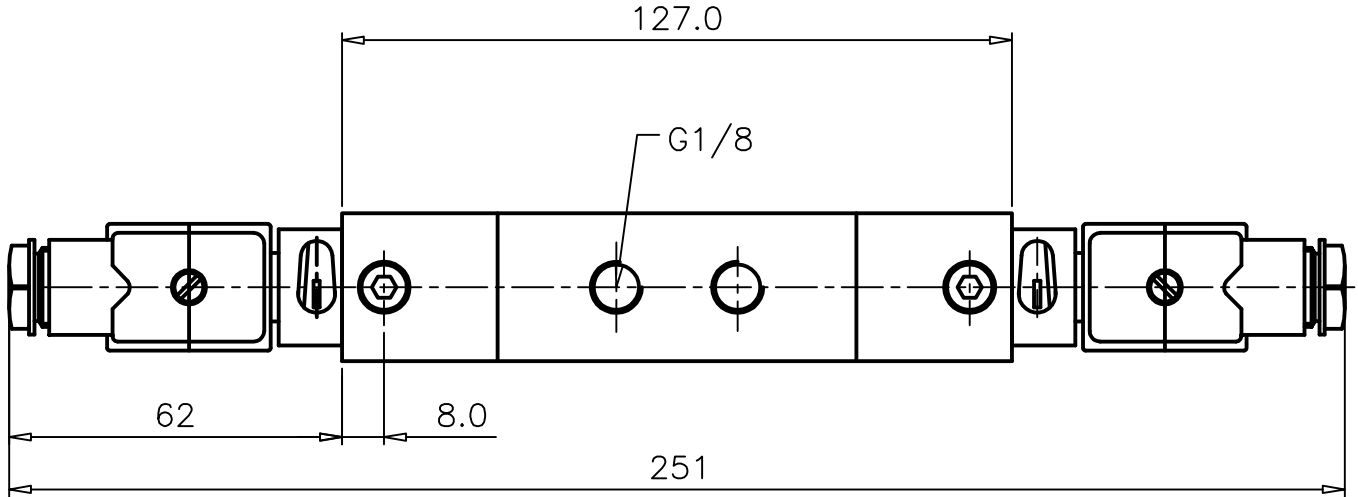
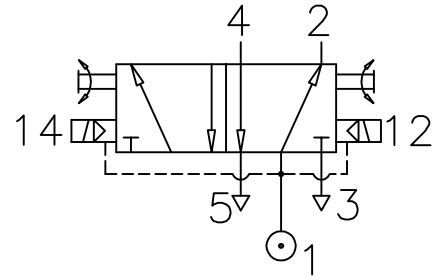


SOLENOID PILOT SET-RESET

End Mounted Miniature Solenoid

ZX4 1858 0M 000

Type : 5/2
 Integral pilot supply
 Port Size : G 1/8
 Operating Pressure : 0-10 bar*
 Operating Temperature : +5°C to +70°C



* CONSULT OUR TECHNICAL SERVICE FOR LOW PRESSURE AND VACUUM

ALL DIMENSIONS ARE IN mm

NUCON INDUSTRIES PRIVATE LIMITED
 88 , C.I.E , BALANAGAR ,
 HYDERABAD - 500 037

DRAWN	SREENIVAS.M	11.05.2005
CHECKED		
APPROVED		